

**NOTES:**

PACKAGE INCLUDES:  
AUTOMATIC OPERATOR, DOORS, FRAMES, WEATHERSTRIPPING, FINGERGUARDS,  
EMERGENCY BREAKAWAY, "3-POSITION" SWITCH (OFF - AUTO - HOLD OPEN),  
"3-POINT" LOCK SYSTEM AND SENSOR SYSTEM PER YOUR SELECTION. SEE  
I-ADAPT DRAWINGS 1010265 AND 1010266 FOR DETAILS ON SENSOR SYSTEM.

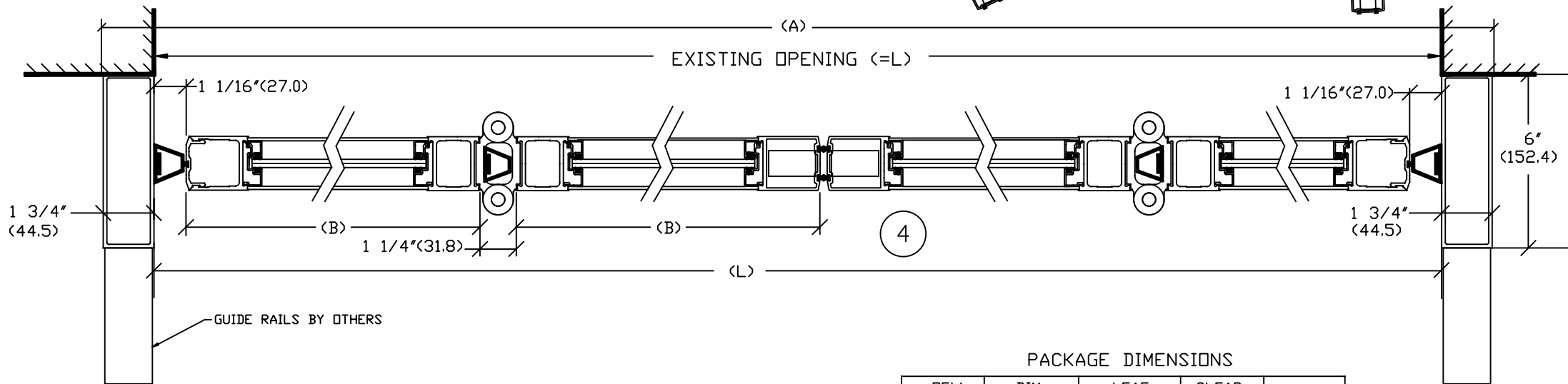
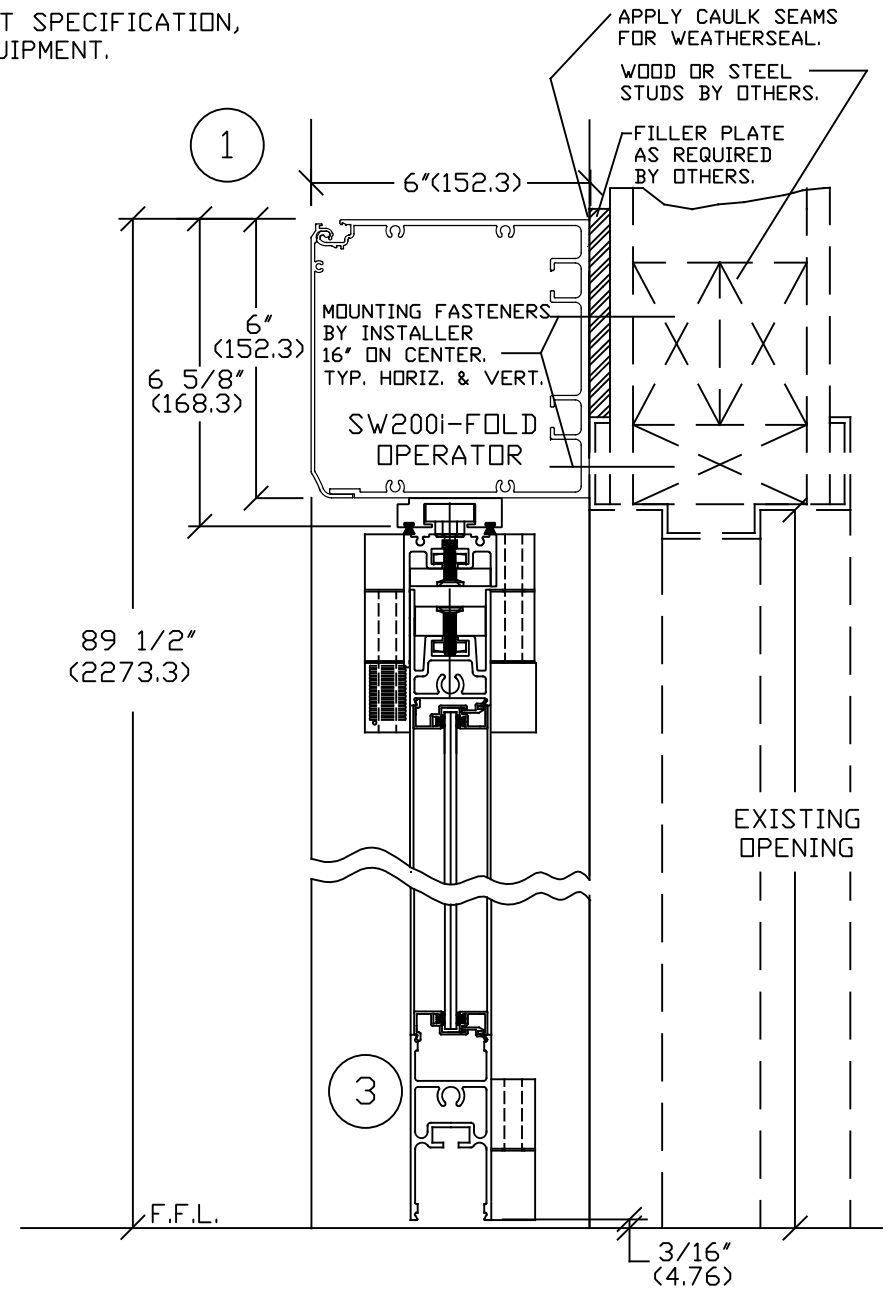
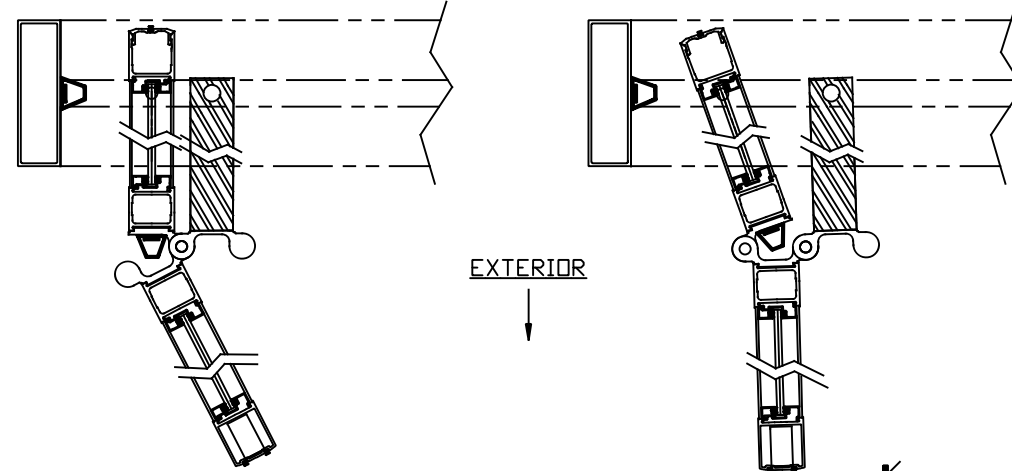
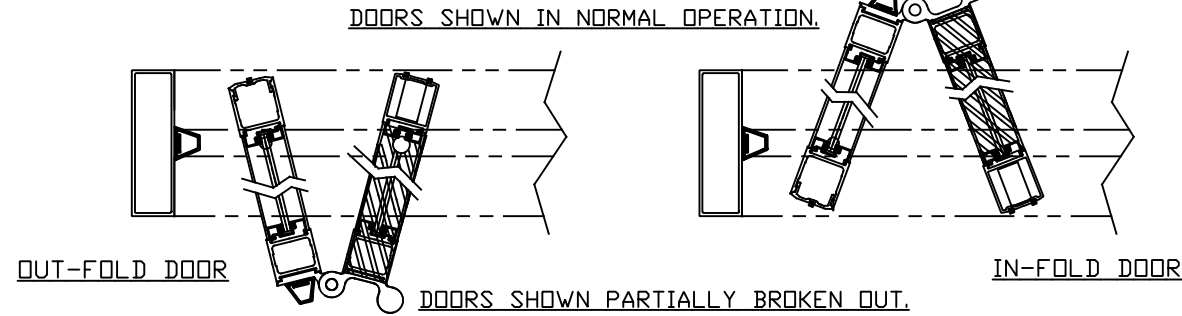
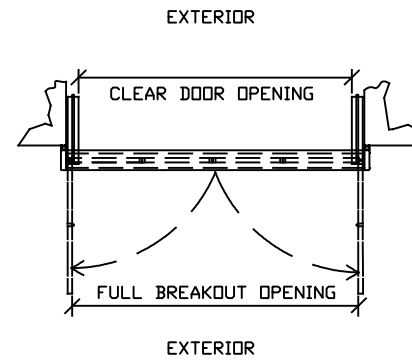
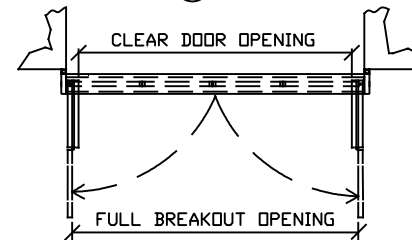
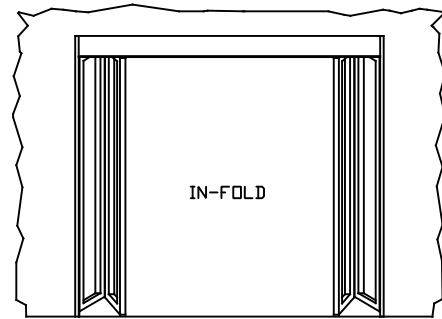
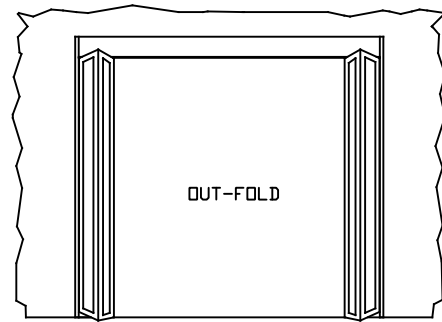
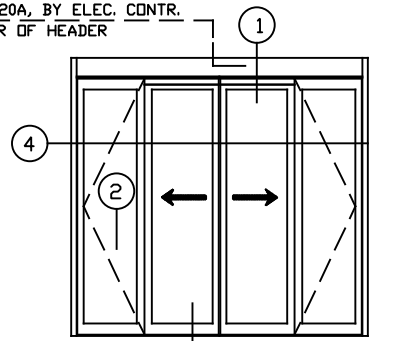
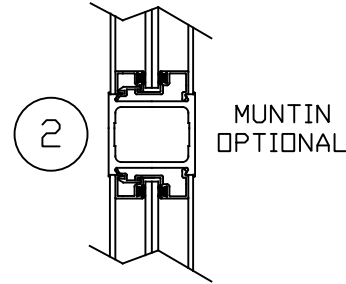
STANDARD FINISH:  
CLEAR - AA-M12C22A41, CLASS 1, .018 MM.  
DARK BRONZE - AA-M12C22A44, CLASS 1, .018 MM.  
SPECIAL FINISHES ARE AVAILABLE

NOTE : OPERATIONAL ADJUSTMENTS TO BE  
IN ACCORDANCE WITH CURRENT  
ANSI/BHMA A156.10 FOR POWER  
OPERATED PEDESTRIAN DOORS

NOTE: DRAWING IS DIMENSIONED IN BOTH ENGLISH AND METRIC.  
REF. AS FOLLOWS: 1" (25.4). ALL METRIC SIZES ARE IN MILLIMETERS.

\* FOR MAXIMUM CURRENT DRAW PER OPERATOR, SEE PRODUCT SPECIFICATION,  
INSTALLATION INSTRUCTIONS, OR THE UL LABEL ON THE EQUIPMENT.

\* ELECTRICAL SERVICE 120VAC,  
50/60Hz, 20A, BY ELEC. CONTR.  
TO CENTER OF HEADER



PACKAGE DIMENSIONS

DFW (A)	DIM. (L)	LEAF (B)	CLEAR DOOR OPN.	BREAKOUT
6'-3 1/2" (1916.2)	6'-0" (1827.4)	16 25/32" (426)	54 1/2" (1384.3)	62 1/2" (1587.5)
7'-3 1/2" (2220.8)	7'-0" (2132.0)	19 25/32" (502)	66 1/2" (1689.1)	74 1/2" (1892.3)
8'-3 1/2" (2525.4)	8'-0" (2436.5)	22 25/32" (579)	78 1/2" (1993.9)	86 1/2" (2197.1)
KEY:	DFW-3 1/2" (DFW-88.9)	L/4-1 7/32" (L/4-30.9)	L-17 1/2" (L-444.5)	L-9 1/2" (L-241.3)

DWG NO. 1010758	DRN BY SS	DATE 4/22/13	CHK BY CW	DATE 4/22/13	REV. 3.0	DATE 1/18/18
-----------------	-----------	--------------	-----------	--------------	----------	--------------