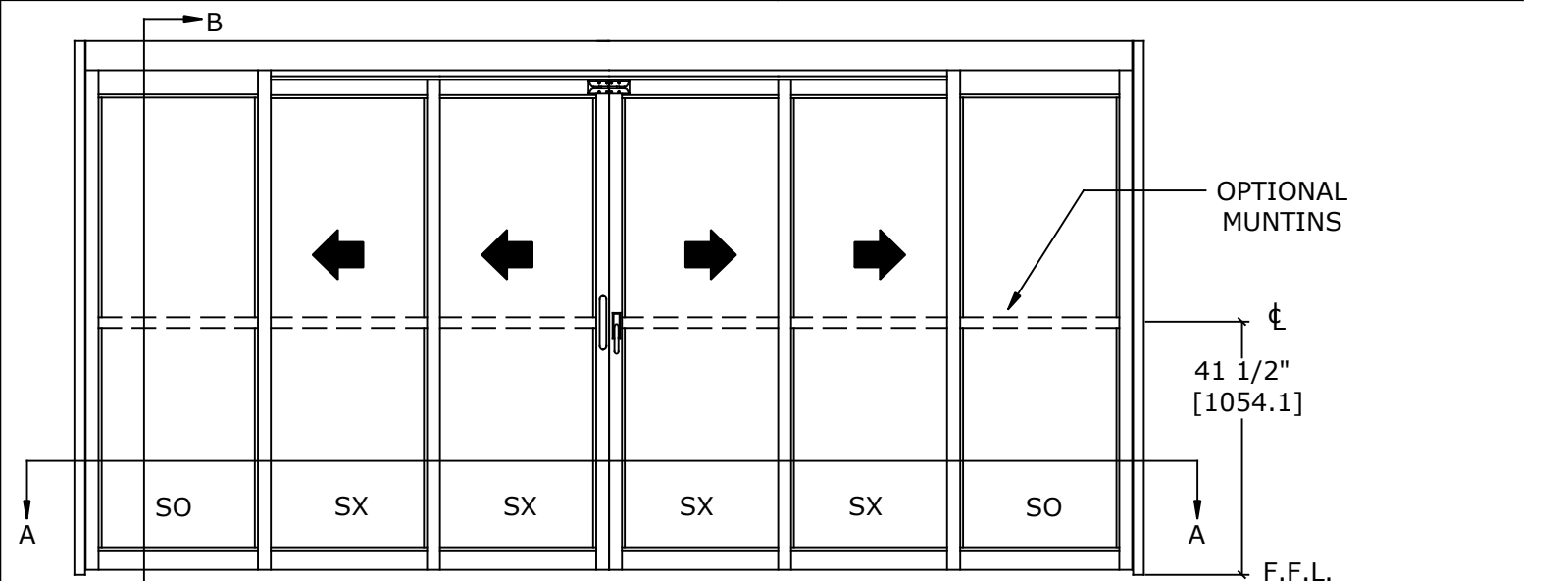
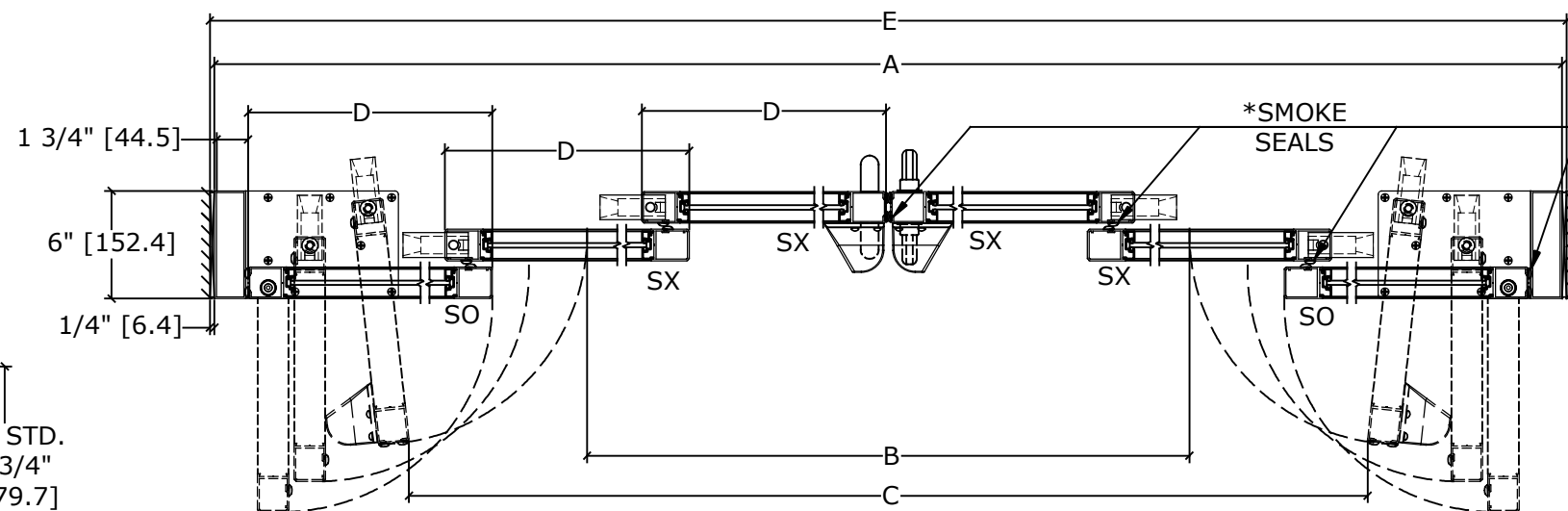


MODEL NO.	OVERALL FRAME WIDTH (A)	CLEAR DOOR OPENING (B)	BREAKOUT OPENING (C)	ACTIVE & SIDELITE LEAF WIDTH (D)	ROUGH OPENING WIDTH (E)
VMT6FBO-10	120" [3048.0]	61 13/16" [1569.6]	94 1/2" [2400.3]	21 1/16" [535.0]	120 1/2" [3060.7]
VMT6FBO-12	144" [3657.6]	77 13/16" [1976.0]	118 1/2" [3009.9]	25 1/16" [636.6]	144 1/2" [3670.3]
VMT6FBO-14	168" [4267.2]	93 13/16" [2382.4]	142 1/2" [3619.5]	29 1/16" [738.2]	168 1/2" [4279.9]
KEY:		(2*A/3)-18 3/16" (2*A/3)-[462.4]	A-25 1/2" A-[647.7]	(A/6)+ 1 1/16" (A/6)+[27.0]	A+1/2" A+[12.7]

CONSULT FACTORY FOR ALL CUSTOM CONFIGURATION SIZES OR SIZES OVER 12'.

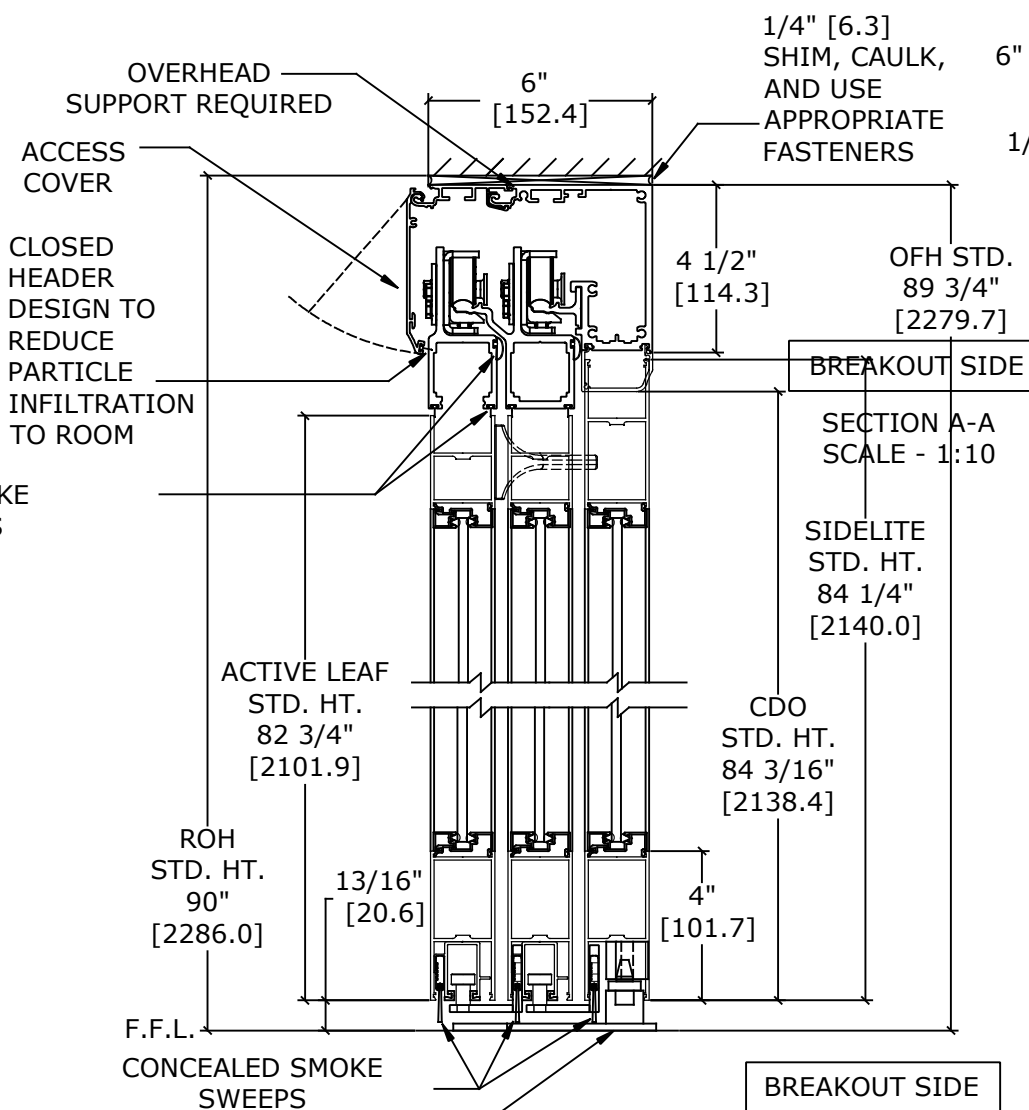


**BREAKOUT SIDE**  
SCALE - 1:30

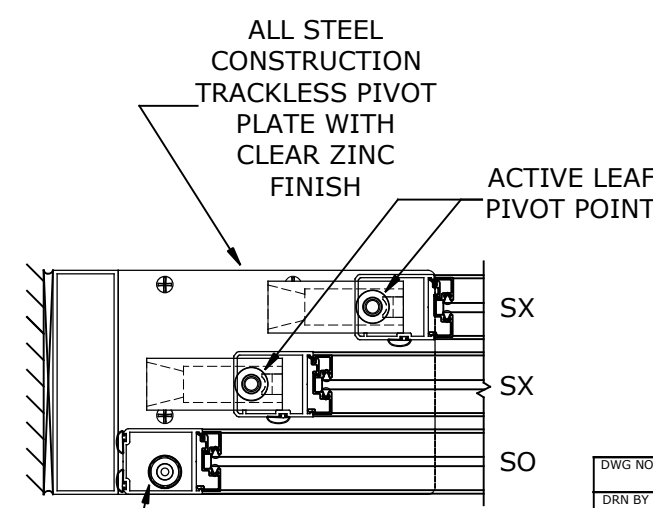


• DOORS WILL ONLY BREAK OUT WHEN IN THE FULLY OPEN POSITION.

\* SEALS: FACTORY APPLIED SEALS USED ON THIS SYSTEM TO SLOW OR RESTRICT PASSAGE OF SMOKE COMPLIES TO ONE OR MORE OF THE FOLLOWING REQUIREMENTS: UL1784, ANSI/NFPA105 2007, UBC7-2, PART11, B5476, UL10B, UL10C, UBC7-2 PART 1 & B5476.



**BREAKOUT SIDE**  
SECTION A-A  
SCALE - 1:10



**DETAIL C**  
SCALE - 1:5

REFER TO RELEVANT [LOCAL, STATE, NATIONAL, OR AHJ] BUILDING CODE FOR MIN DOOR HEIGHT & MIN/MAX WIDTH ALLOWABLE FOR EGRESS REQUIREMENT IN CONJUNCTION WITH TABLE.

- NOTES:**
- STANDARD PACKAGE CONSISTS OF:
- STANDARD FINISH: CLASS 1, .018MM, CLEAR- AA-M12C22A41
  - NARROW STILE RAILS
  - 1/4" GLASS STOPS AND BLOCKS
  - NURSE ASSIST MAGNETIC CATCHES
  - POSITIVE LATCHING
  - CONCEALED SWEEPS
  - SMOKE RATED SEALS
  - FLUSH BOLT-FREE DESIGN
- OPTIONS AVAILABLE:
- SPECIAL FINISHES
  - PACKAGE WILL ACCEPT UP TO 1 1/4" [31.8] INSULATED GLASS, SEE SHEET AA-13 FOR DETAILS
  - 7" & 10" BOTTOM RAILS, SEE SHEET AA-14 FOR DETAILS
  - MUNTINS, SEE SHEET AA-14 FOR DETAILS
  - SELF-CLOSING, SEE SHEET AA-2 FOR DETAILS
  - SEE SHEET OS-1 FOR ALL OTHER OPTIONS.

PIVOT PLATE SEE DETAIL C

**SECTION B-B**  
SCALE - 1:5

DWG NO.	1016218										
DRN BY	DBN	DATE	02/22/17	CHK BY	CLW	DATE	03/03/17	REV.	2.0	DATE	05/24/17