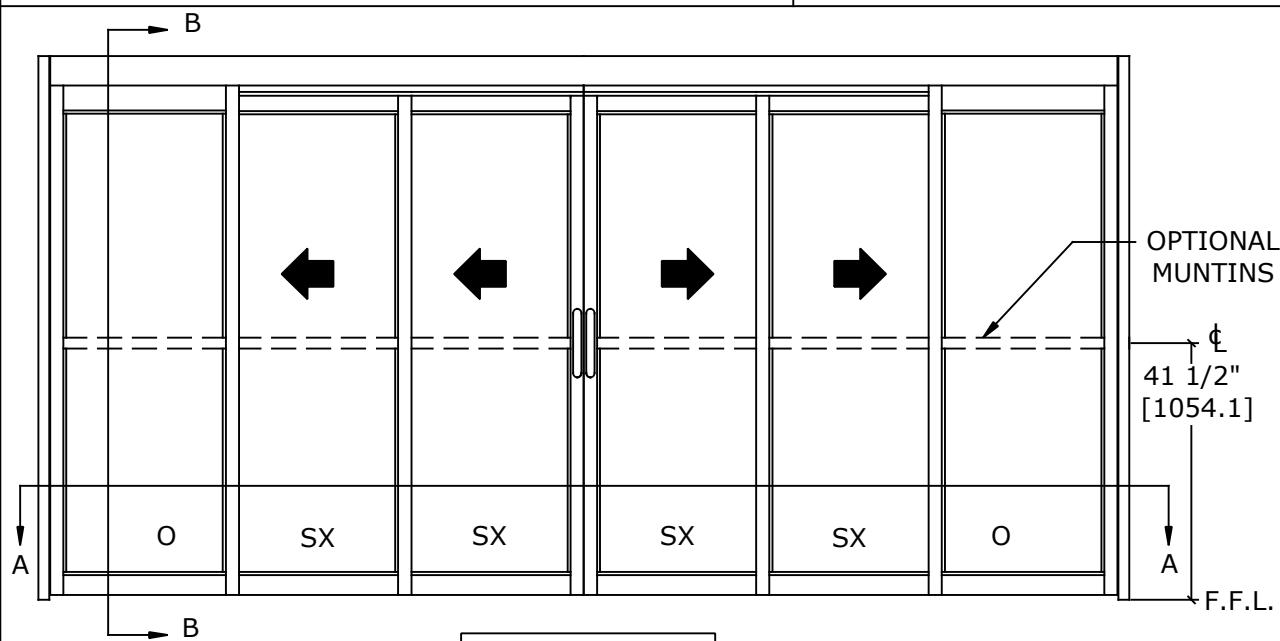


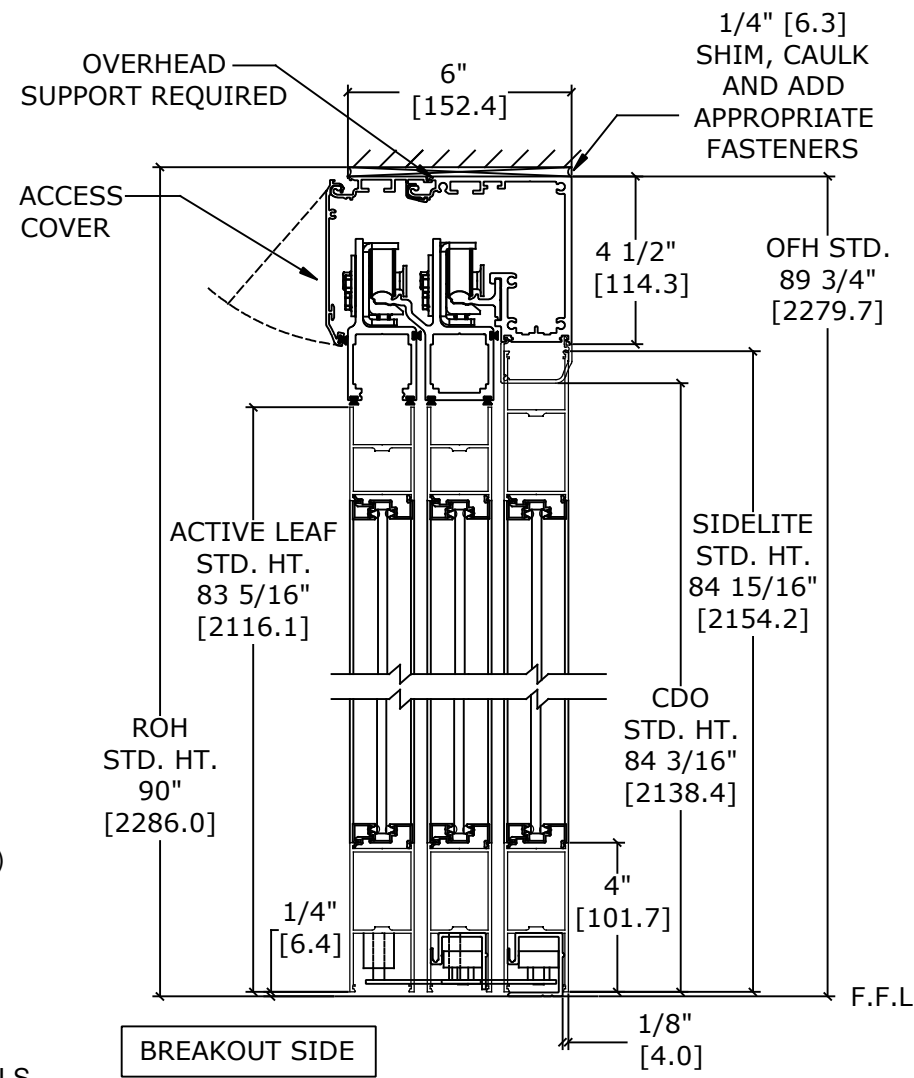
DIMENSIONS FOR 1/4" [6.4] GLASS

MODEL NO.	OVERALL FRAME WIDTH (A)	CLEAR DOOR OPENING (B)	BREAKOUT OPENING (C)	ACTIVE & SIDELITE LEAF WIDTH (D)	ROUGH OPENING WIDTH (E)
VMT6FSL-10	120" [3048.0]	61 13/16" [1570.0]	66 13/16" [1697]	21 1/16" [535.0]	120 1/2" [3060.7]
VMT6FSL-12	144" [3657.6]	77 13/16" [1976.4]	82 13/16" [2103.4]	25 1/16" [636.6]	144 1/2" [3670.3]
VMT6FSL-14	168" [4267.2]	93 13/16" [2382.8]	98 13/16" [2509.8]	29 1/16" [738.2]	168 1/2" [4279.9]
KEY:		(2*A/3)-18 3/16" (2*A/3)-[462.0]	(2*A/3)-13 3/16" (2*A/3)-[335]	(A/6)+1 1/16" (A/6)+[27.0]	A+1/2" A+[12.7]

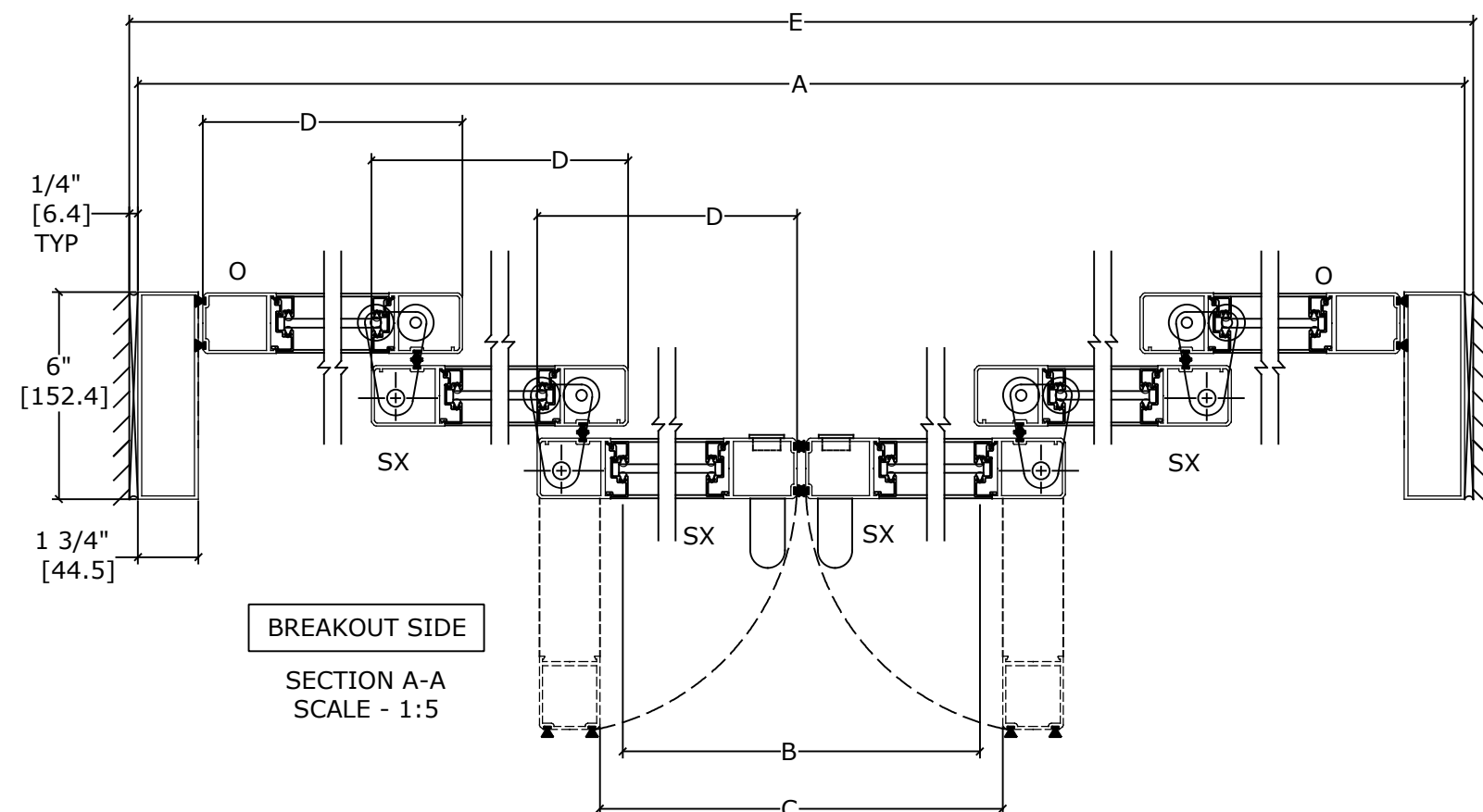
CONSULT FACTORY FOR ALL CUSTOM CONFIGURATION SIZES OR SIZES OVER 12'.



BREAKOUT SIDE
 SCALE - 1:30



BREAKOUT SIDE
 SECTION B-B
 SCALE - 1:5



BREAKOUT SIDE
 SECTION A-A
 SCALE - 1:5

• DOORS WILL BREAK OUT IN ANY POSITION.

- NOTES:**
- STANDARD PACKAGE CONSISTS OF:
- STANDARD FINISH: CLASS 1, .018MM, CLEAR- AA-M12C22A41
 - NARROW STILE RAILS
 - 1/4" GLASS STOPS AND BLOCKS
 - PULL HANDLE(S) AND RECESSED FINGER PULL(S)
 - NURSE ASSIST MAGNETIC CATCHES
 - FULL OPENING DAMPENING DEVICE
- OPTIONS AVAILABLE:
- SPECIAL FINISHES
 - PACKAGE WILL ACCEPT UP TO 1 1/4" [31.8] INSULATED GLASS, SEE SHEET AA-13 FOR DETAILS
 - 7" & 10" BOTTOM RAILS, SEE SHEET AA-14 FOR DETAILS
 - MUNTINS, SEE SHEET AA-14 FOR DETAILS
 - SEE SHEET OS-1 FOR ALL OTHER OPTIONS.

REFER TO RELEVANT [LOCAL, STATE, NATIONAL, OR AHJ] BUILDING CODE FOR MIN DOOR HEIGHT & MIN/MAX WIDTH ALLOWABLE FOR EGRESS REQUIREMENT IN CONJUNCTION WITH TABLE.

DWG NO. 1016225

DRN BY	DBN	DATE	02/22/17	CHK BY	CLW	DATE	03/03/17	REV.	2.0	DATE	05/24/17
--------	-----	------	----------	--------	-----	------	----------	------	-----	------	----------

ASSA ABLOY