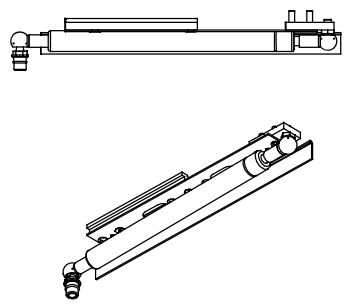
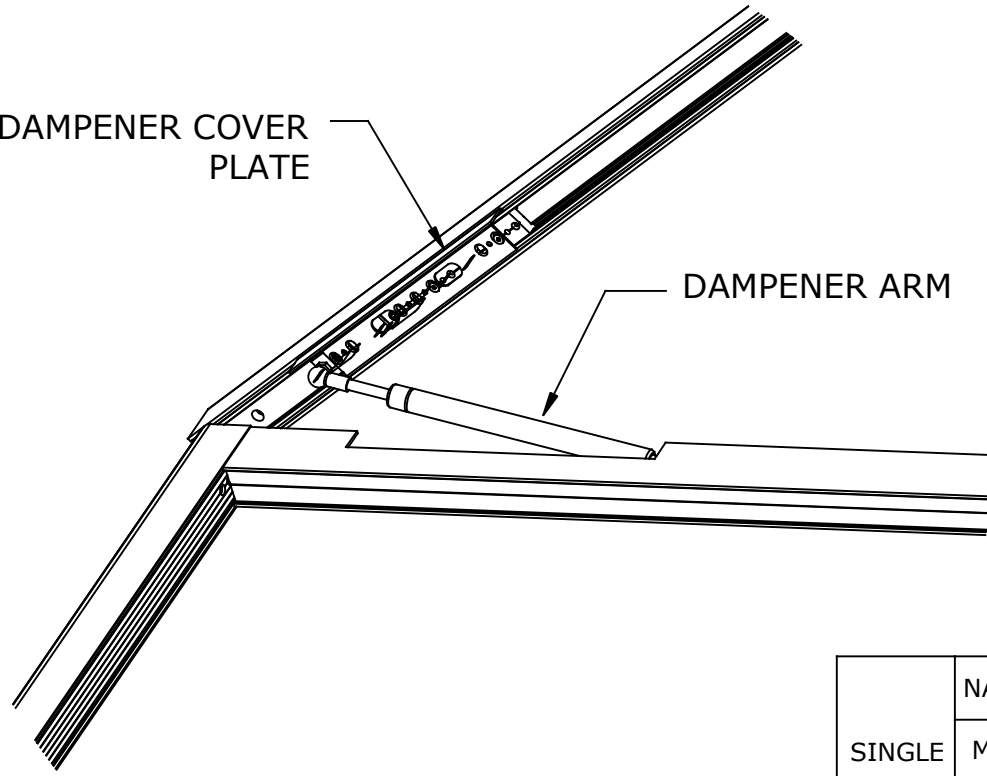


Description	Dampener Assembly	
Remarks	<ul style="list-style-type: none"> Dampener available for active leaf Minimum dimension requirements for dampener in table below 	



DAMPENER MINIMUM SIZES

		STANDARD		TELESCOPIC	
		OHC (OFW)	SA (ROW)	OHC (OFW)	SA (ROW)
SINGLE	NARROW	N/A	N/A	90" [2286]	55.5" [1409.7]
	MEDIUM	N/A	N/A	97" [2463.8]	59.5" [1511.3]
	WIDE	N/A	N/A	101" [2565.4]	61.5" [1562.1]
BI-PART	NARROW	120" [3048]	55.5" [1409.7]	N/A	N/A
	MEDIUM	132" [3352.8]	59.75" [1517.7]	N/A	N/A
	WIDE	144" [3657.6]	64.75" [1644.7]	N/A	N/A

ALL SIZES AVAILABLE FOR 1/4", 5/8", AND 1" GLASS.

DWG NO. 1016557					
DRN BY	DBN	DATE	02/22/17	CHK BY	CLW
				DATE	03/03/17
				REV.	1.0
				DATE	03/03/17

© ALL RIGHTS RESERVED IN AND TO THIS MATERIAL ARE THE SOLE PROPERTY TO ASSA ABLOY ENTRANCE SYSTEMS AB. COPYING, SCANNING, ALTERATIONS OR MODIFICATIONS ARE EXPRESSLY FORBIDDEN WITHOUT PRIOR WRITTEN CONSENT OF THE APPLICABLE COMPANY WITHIN ASSA ABLOY ENTRANCE SYSTEMS AB. RIGHTS RESERVED FOR CHANGES WITHOUT PRIOR NOTICE.

ASSA ABLOY
