

BESAM SL500 CGL
OVERHEAD CONCEALED, FIXED SIDELITE,
SINGLE SLIDE DOOR SYSTEM

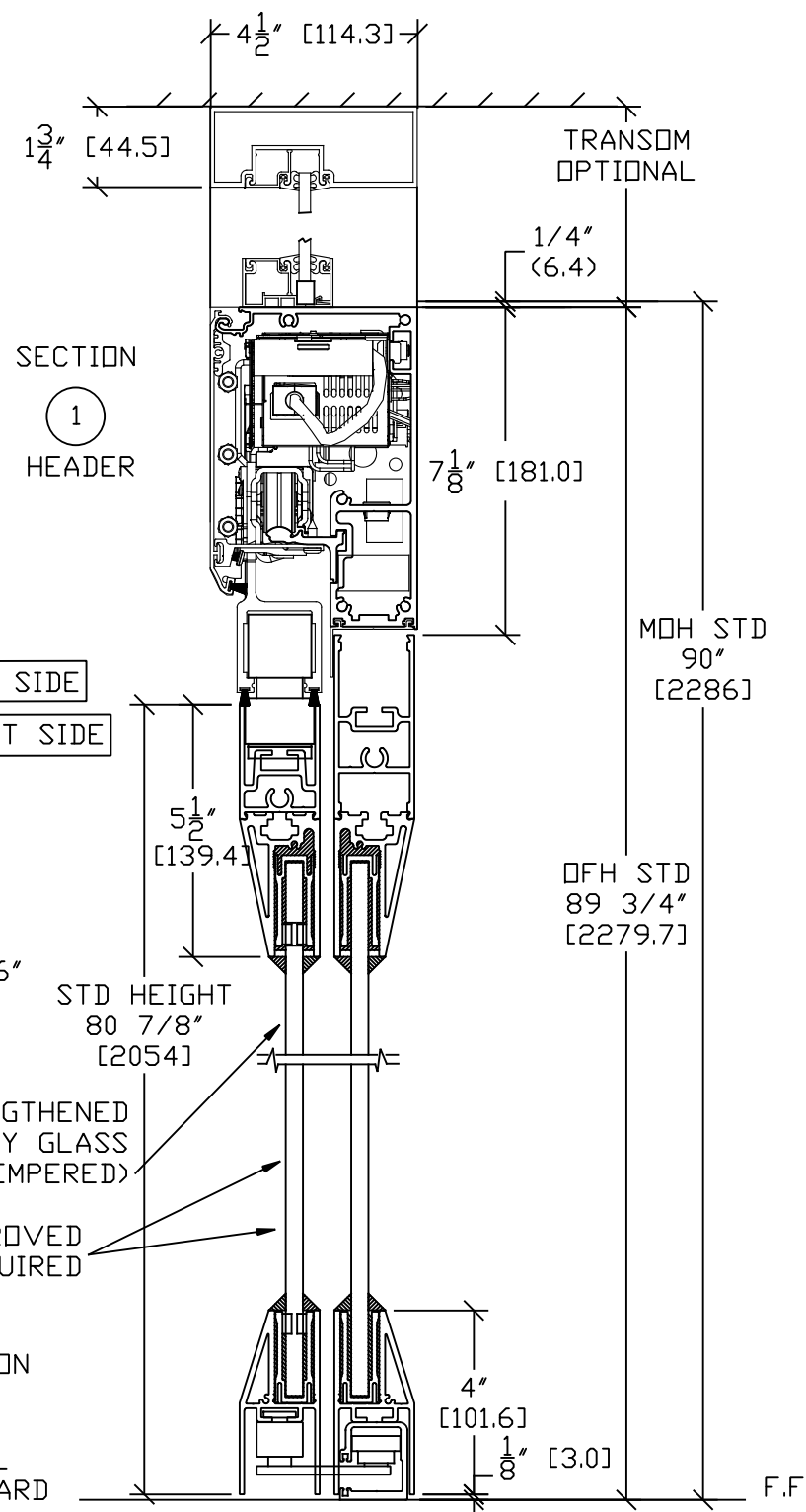
NOTE: THE STANDARD PACKAGE CONSISTS OF:
THE AUTOMATIC OPERATOR & WEATHERSTRIP, FRAMES, DOORS &
SIDELITES WITH VERTICAL WEATHERSTRIP, EMERGENCY BREAKAWAY
OPTIONAL POSITION SWITCHES (DIGITAL (3 OR 5) OR KEY (5)),
(OFF-EXIT ONLY-AUTO-REDUCED OPENING-HOLD OPEN OR
OFF, AUTO, HOLD OPEN) AND MOTION/PRESENCE SENSORS.

LOCKING DEVICES ARE AVAILABLE AS AN OPTIONAL EXTRA:
MANUAL AS SHOWN, MOUNTED IN BOTTOM OF ACTIVE LEAF;
OR AUTOMATIC (NOT SHOWN), MOUNTED IN OPERATOR HEADER.
STANDARD FINISH: CLEAR- AA-M12C22A41, CLASS 1, .018 MM.
DARK BRONZE- AA-M12C22A44, CLASS 1, .018 MM.

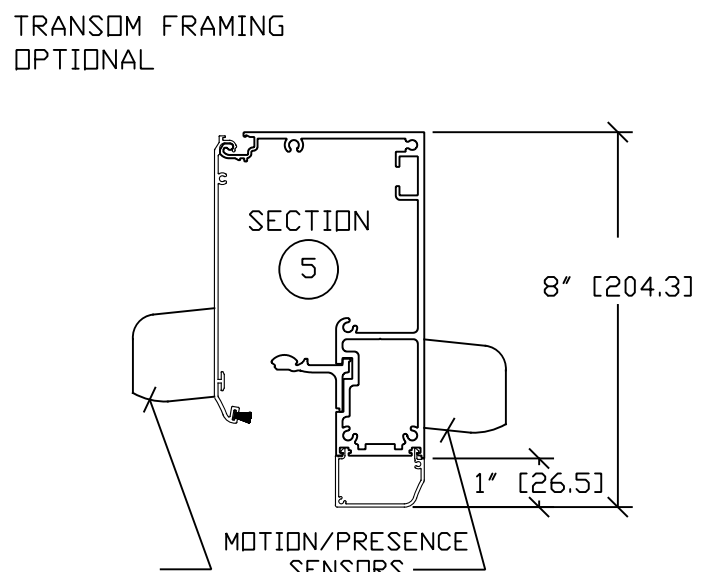
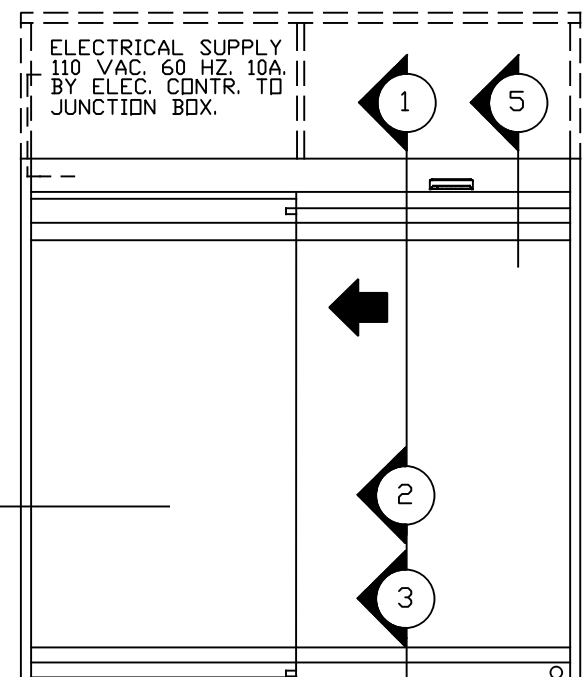
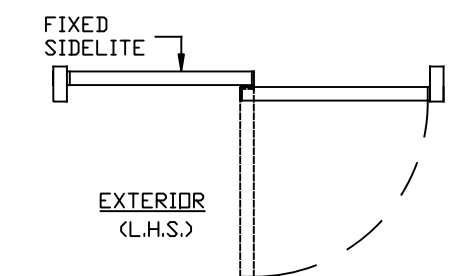
SPECIAL FINISHES ARE AVAILABLE.
THIS PACKAGE WILL ACCEPT 3/8" OR 1/2" HEAT STRENGTHENED
SAFETY GLASS.

NOTE DRAWING IS DIMENSIONED IN BOTH ENGLISH AND METRIC
REF. AS FOLLOWS 1" (25.4) ALL METRIC SIZES ARE MILLIMETERS.
* FOR MAXIMUM CURRENT DRAW PER OPERATOR, SEE PRODUCT
SPECIFICATION, INSTALLATION INSTRUCTIONS, OR THE UL
LABEL ON THE EQUIPMENT.

REFER TO RELEVANT (LOCAL, STATE, NATIONAL OR AHJ) BUILDING
CODE FOR MIN DOOR HEIGHT & MIN/MAX WIDTH ALLOWABLE
FOR EGRESS REQUIREMENT IN CONJUNCTION WITH TABLE BELOW.

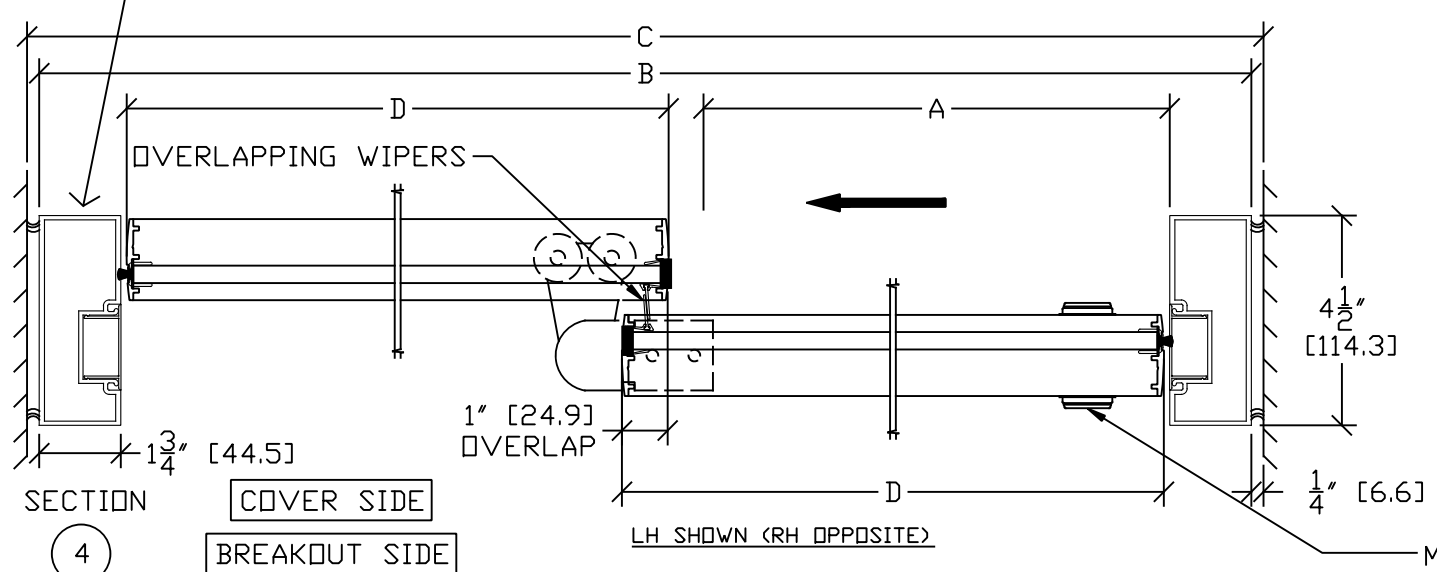
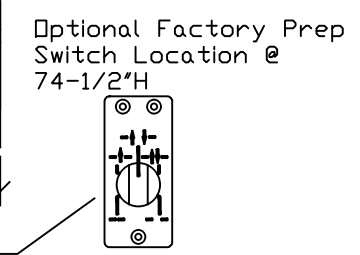
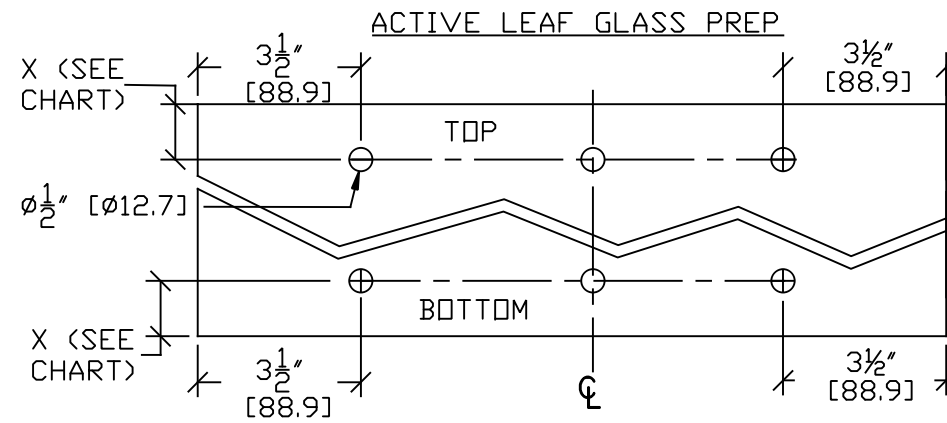


DFW	DOOR OPENING A	OVERALL FRAME WIDTH B	MASONRY OPENING WIDTH C	ACTIVE & SIDELITE LEAF WIDTH D
7	34 3/16" (868.4)	84" (2133.6)	84 1/2" (2146.3)	40 5/8" (1031.9)
8	40 3/16" (1020.8)	96" (2438.4)	96 1/2" (2451.1)	46 5/8" (1184.3)
8-6	43 3/16" (1097)	102" (2590.8)	102 1/2" (2603.5)	49 5/8" (1260.5)
KEY	B/2-7 13/16 (198.4)	C-1/2" (12.7)	B+1/2" (12.7)	B/2-1 3/8 (34.9)



GLASS WIDTH	X
3/8"	1 9/16" [39.7]
1/2"	1 1/4" [31.75]*

* Hole Placement to be within 1/16"
* Dowel surface may require modification



NOTE: PACKAGES WITH TRANSOM MUST HAVE OVERHEAD SUPPORT BY OTHERS.

DWG NO. 1010470	DRN BY CLW	DATE 6/4/13	CHK BY SS	DATE 6/4/13	REV. 4.0	DATE 12/19/16
-----------------	------------	-------------	-----------	-------------	----------	---------------