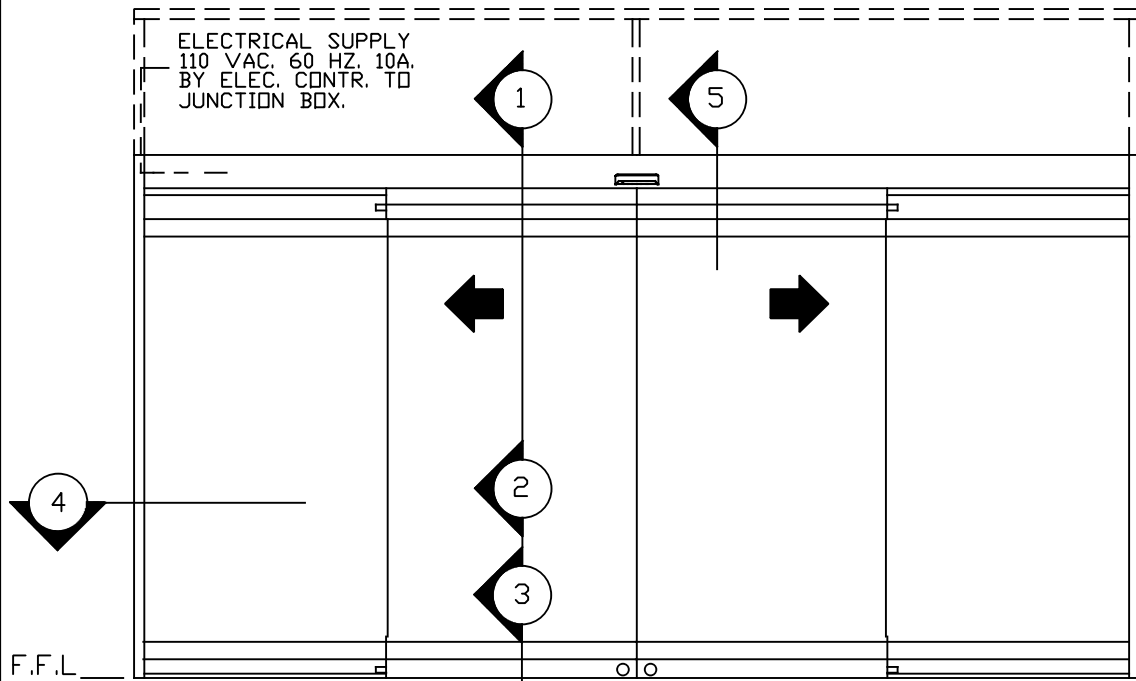
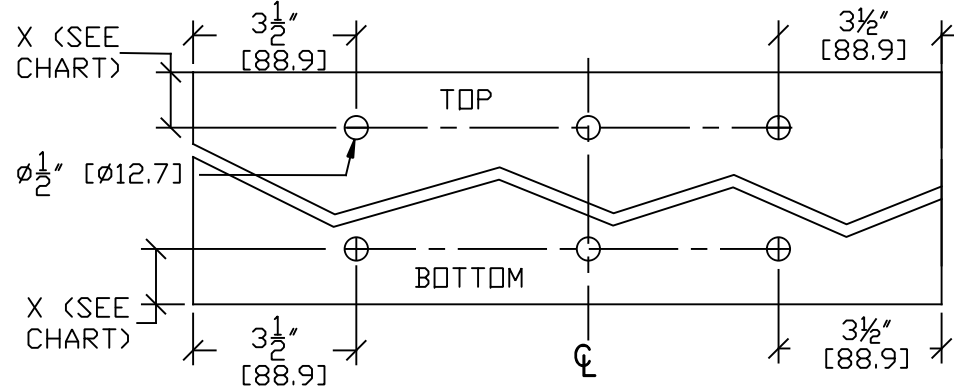


BESAM SL500 CGL
OVERHEAD CONCEALED, FIXED SIDELITE,
BI-PART DOOR SYSTEM



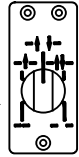
EXTERIOR ELEVATION
ACTIVE LEAF GLASS PREP



| GLASS WIDTH | X |
|-------------|-----------------|
| 3/8" | 1 9/16" [39.7] |
| 1/2" | 1 1/4" [31.75]* |

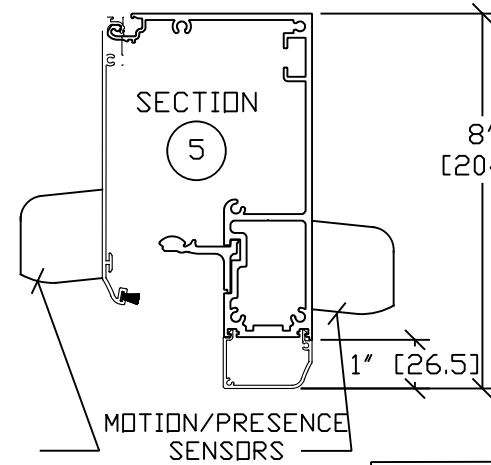
* Hole Placement to be within 1/16" STD HEIGHT
80 7/8" [2054]
* Dowel surface may require modification

Optional Factory Prep HEAT STRENGTHENED SAFETY GLASS (TEMPERED)
Switch Location @ 74-1/2"H

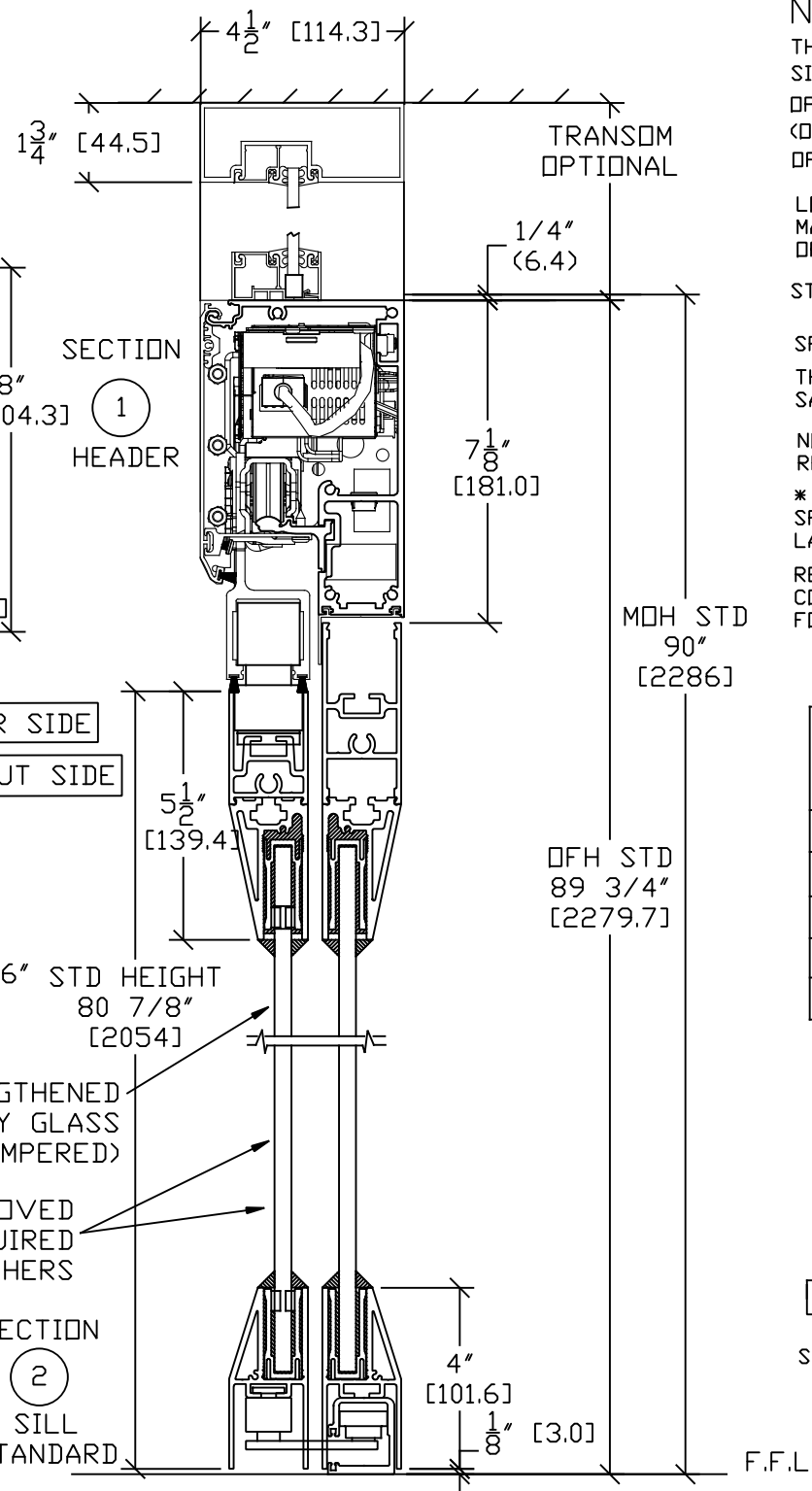


ASTM APPROVED SEALEANT REQUIRED BY OTHERS

TRANSOM FRAMING
OPTIONAL

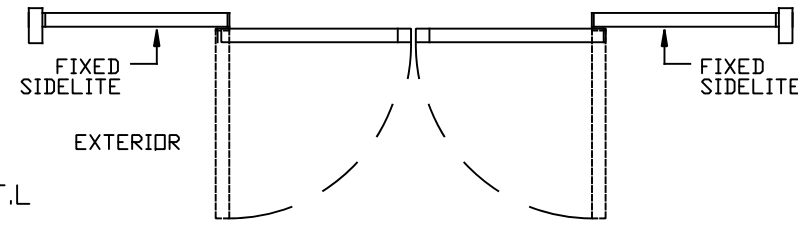


COVER SIDE
BREAKOUT SIDE



SECTION 2
SILL STANDARD

SECTION 3
(OPTIONAL) SURFACE MTD. THRESHOLD W/LEADUPS



NOTE: THE STANDARD PACKAGE CONSISTS OF:
THE AUTOMATIC OPERATOR & WEATHERSTRIP, FRAMES, DOORS & SIDELITES WITH VERTICAL WEATHERSTRIP, EMERGENCY BREAKAWAY OPTIONAL POSITION SWITCHES (DIGITAL (3 OR 5) OR KEY (5)), (OFF-EXIT ONLY-AUTO-REDUCED OPENING-HOLD OPEN OR OFF, AUTO, HOLD OPEN) AND MOTION/PRESENCE SENSORS.

LOCKING DEVICES ARE AVAILABLE AS AN OPTIONAL EXTRA: MANUAL AS SHOWN, MOUNTED IN BOTTOM OF ACTIVE LEAF; OR AUTOMATIC (NOT SHOWN), MOUNTED IN OPERATOR HEADER.

STANDARD FINISH: CLEAR- AA-M12C22A41, CLASS 1, .018 MM.
DARK BRONZE- AA-M12C22A44, CLASS 1, .018 MM.
SPECIAL FINISHES ARE AVAILABLE.

THIS PACKAGE WILL ACCEPT 3/8" OR 1/2" HEAT STRENGTHENED SAFETY GLASS.

NOTE DRAWING IS DIMENSIONED IN BOTH ENGLISH AND METRIC REF. AS FOLLOWS 1" (25.4) ALL METRIC SIZES ARE MILLIMETERS.

* FOR MAXIMUM CURRENT DRAW PER OPERATOR, SEE PRODUCT SPECIFICATION, INSTALLATION INSTRUCTIONS, OR THE UL LABEL ON THE EQUIPMENT.

REFER TO RELEVANT (LOCAL, STATE, NATIONAL OR AHJ) BUILDING CODE FOR MIN DOOR HEIGHT & MIN/MAX WIDTH ALLOWABLE FOR EGRESS REQUIREMENT IN CONJUNCTION WITH TABLE BELOW.

| DFW | DOOR OPENING A | OVERALL FRAME WIDTH B | MASONRY OPENING WIDTH C | ACTIVE & SIDELITE LEAF WIDTH D |
|-----|---------------------|-----------------------|-------------------------|--------------------------------|
| 10 | 46 1/8" (1171.6) | 120" (3048) | 120 1/2" (3060.7) | 29 1/2" (749.3) |
| 12 | 58 1/8" (1476.4) | 144" (3657.6) | 144 1/2" (3670.3) | 35 1/2" (901.7) |
| 14 | 70 1/8" (1781.2) | 168" (4267.2) | 168 1/2" (4279.9) | 41 1/2" (1054.1) |
| 16 | 82 1/8" (2085.9) | 192" (4876.8) | 192 1/2" (4889.5) | 47 1/2" (1206.51) |
| KEY | B/2-13 7/8" (352.4) | C-1/2" (12.7) | B+1/2" (12.7) | B/4-1/2" (12.7) |

SECTION 4
PLAN

COVER SIDE
BREAKOUT SIDE

OPTIONAL MECHANICAL LOCK

OPTIONAL FULL SILL THRESHOLD

F.F.L.

NOTE: PACKAGES WITH TRANSOM MUST HAVE OVERHEAD SUPPORT BY OTHERS.

DWG NO. 1010471

| | | | | | | | | | | | |
|--------|-----|------|--------|--------|----|------|--------|-----|-----|------|----------|
| DRN BY | CLW | DATE | 6/4/13 | CHK BY | SS | DATE | 6/4/13 | REV | 4.0 | DATE | 12/19/16 |
|--------|-----|------|--------|--------|----|------|--------|-----|-----|------|----------|

ASSA ABLOY