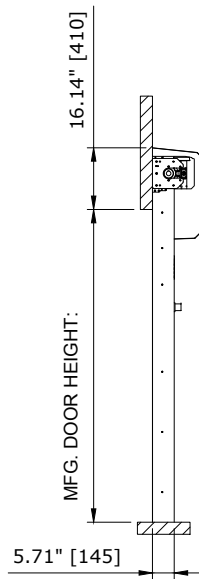
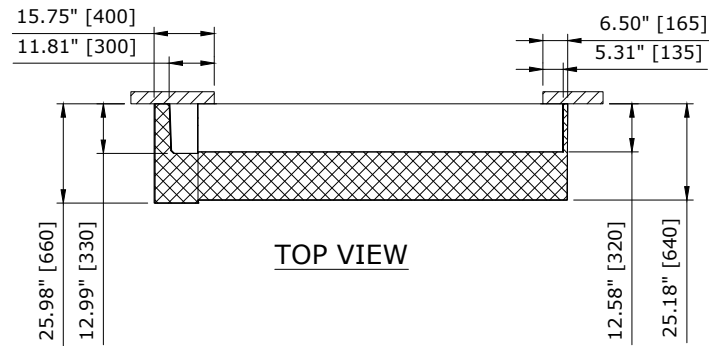


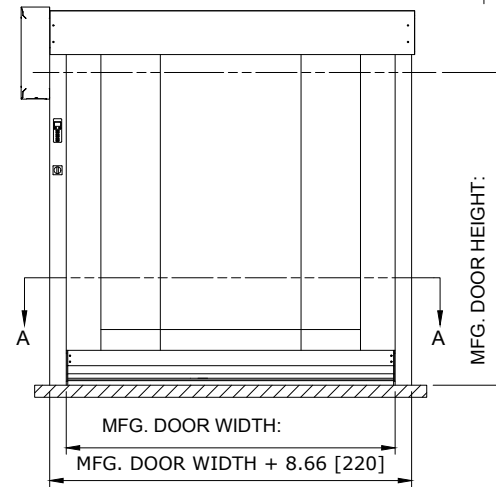
SECTION A-A (NTS)



LEFT VIEW



TOP VIEW



FRONT VIEW



RECOMMENDED FOR MAINTENANCE.

RR300 CLEAN, LH WITH PRE-RUNNING PHOTOCCELL
CONTROL PANEL:

CUSTOMER:		SCALE = NOT TO SCALE	ASSA ABLOY	
LOCATION:		APPROVED BY:	APPROVED WITH CHANGES BY:	
SALESMAN / DEALER:		DATE:	DATE:	
		DESCRIPTION: RR300 CLEAN-APPROVAL DRAWING		
		DRAWING NO: 8300T0011	DESIGNER: J. Fisher	DATE: 12/15/2016
Rev	Change	Date	Name	

QUOTE: