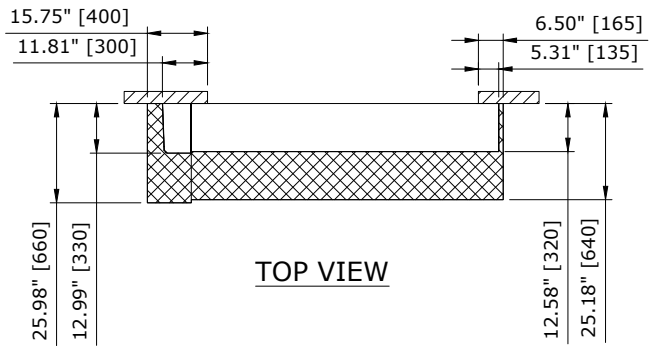
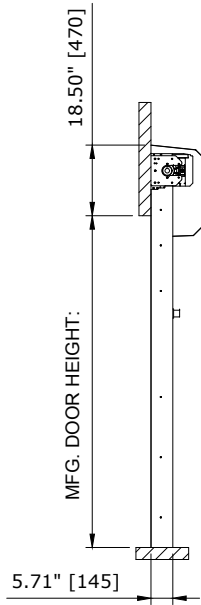


SECTION A-A

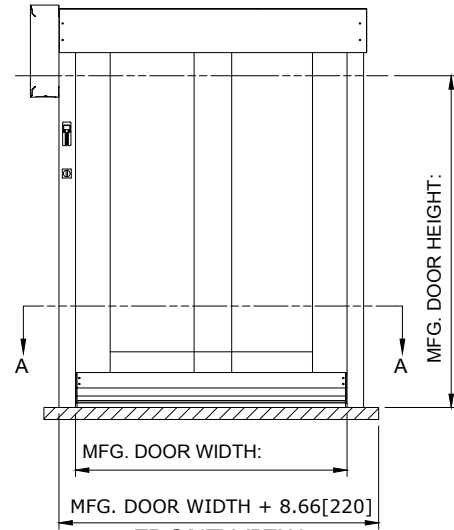


TOP VIEW

 RECOMMENDED FOR MAINTENANCE.



LEFT VIEW



FRONT VIEW

RR300 CLEAN, LH WITH SAFETY EDGE

CONTROL PANEL:

CUSTOMER:		SCALE = NOT TO SCALE	ASSA ABLOY	
LOCATION:		APPROVED BY:	APPROVED WITH CHANGES BY:	
SALESMAN / DEALER:		DATE:	DATE:	
DESCRIPTION: RR300 CLEAN-APPROVAL DRAWING				
DRAWING NO: 8300T0013		DESIGNER: J. Fisher	DATE: 12/15/2016	
Rev	Change	Date	Name	

QUOTE: