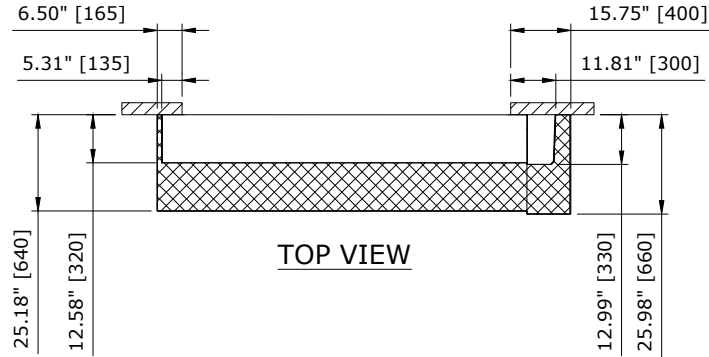
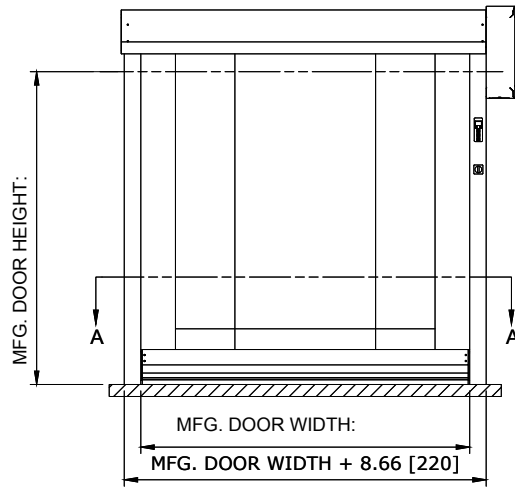




RECOMMENDED FOR MAINTENANCE.



TOP VIEW



FRONT VIEW

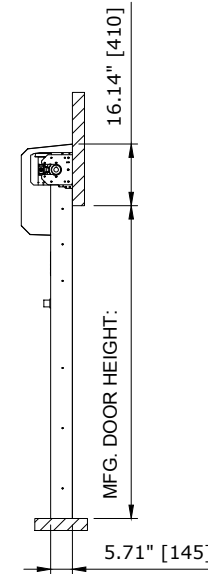
RR300 CLEAN, RH WITH PRE-RUNNING PHOTOCELL

CONTROL PANEL:

MFG. DOOR WIDTH:



SECTION A-A (NTS)



RIGHT VIEW

CUSTOMER:		SCALE = NOT TO SCALE	<b>ASSA ABLOY</b>	
LOCATION:		APPROVED BY:	APPROVED WITH CHANGES BY:	
SALESMAN / DEALER:		DATE:	DATE:	
DESCRIPTION: RR300 CLEAN-APPROVAL DRAWING				
DRAWING NO: 8300T0012		DESIGNER: J. Fisher	DATE: 12/15/2016	
Rev	Change	Date	Name	

QUOTE: