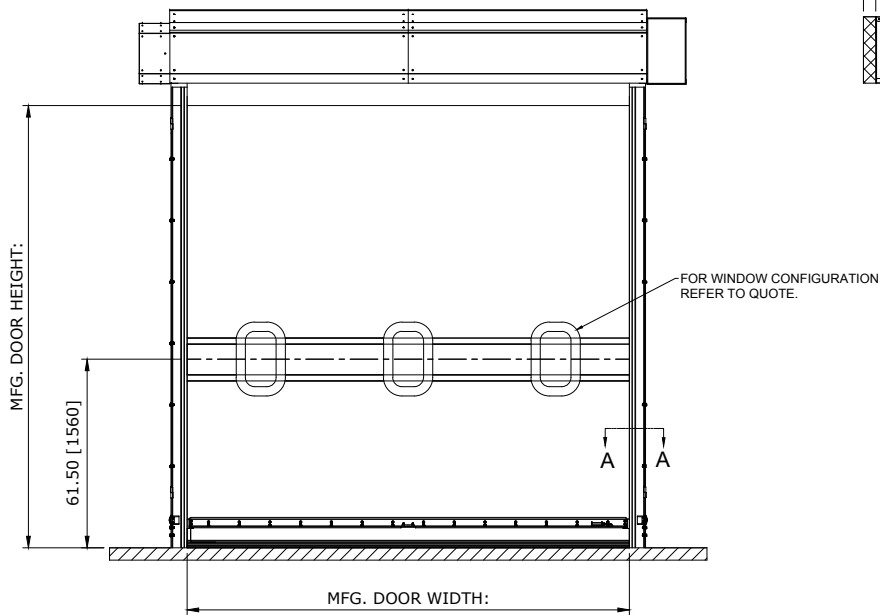
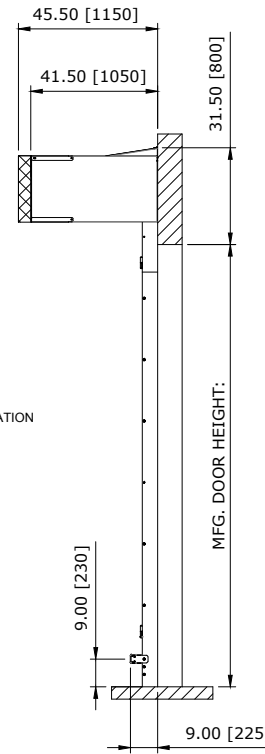


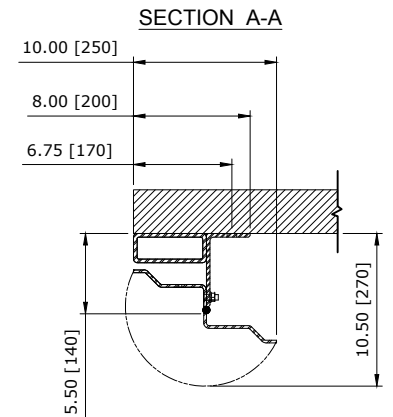
TOP VIEW



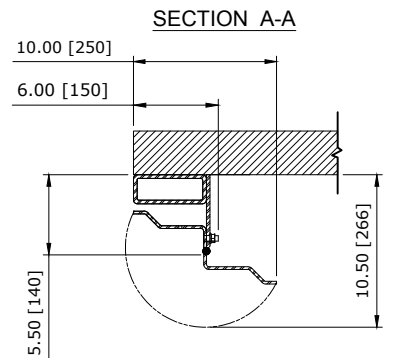
FRONT VIEW



RIGHT VIEW



OPTIONAL ANGLE SIDE FRAME CONFIGURATION



STANDARD FLATBAR FRAME CONFIGURATION

ASSA ABLOY RR1500 TOUGH, RH DRIVE, WITH COVERS CONTROL PANEL:

 RECOMMENDED FOR MAINTENANCE.

CUSTOMER:		SCALE = NOT TO SCALE	<b>ASSA ABLOY</b>	
LOCATION:		APPROVED BY:	APPROVED WITH CHANGES BY:	
SALESMAN / DEALER:		DATE:	DATE:	
DESCRIPTION: RR1500 APPROVAL DRAWING				
DRAWING NO: 8300T0105		DESIGNER: T. LINDSEY	DATE: 3/21/18	
Rev	Change	Date	Name	

**QUOTE:**