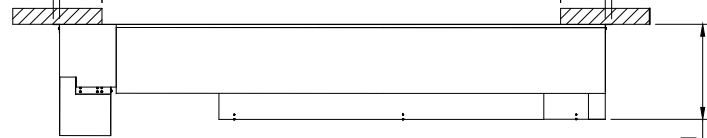
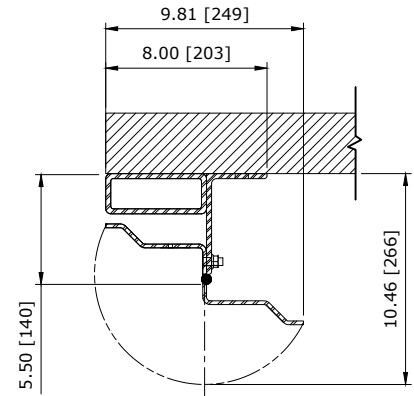


RECOMMENDED FOR MAINTENANCE.

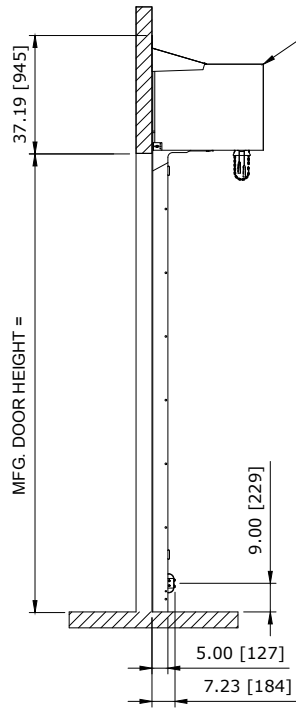
15.29 [388]  
13.30 [338] MFG. DOOR WIDTH: 16.05 [408]  
14.04 [357]



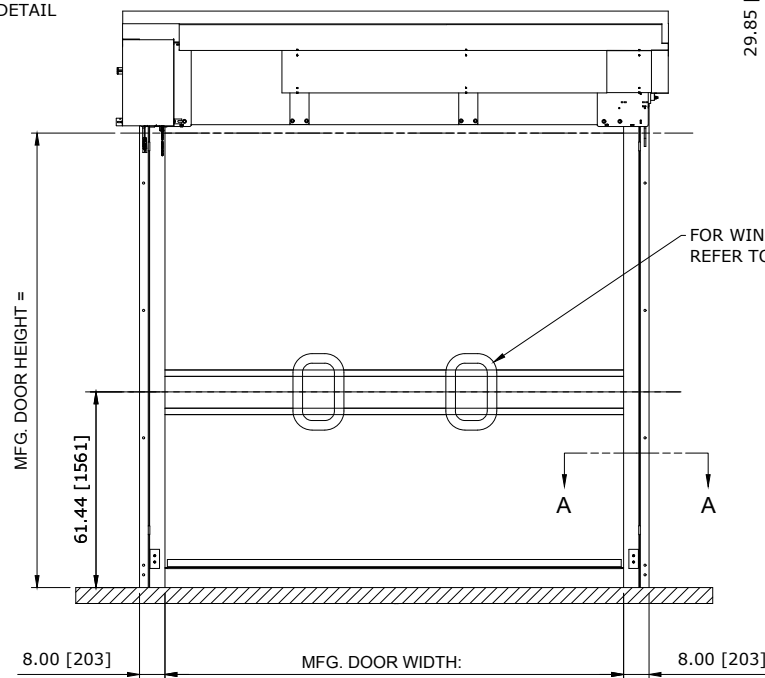
TOP VIEW



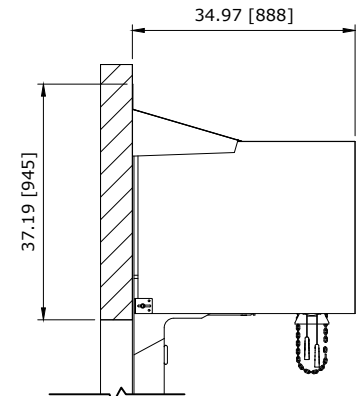
SECTION A-A



LEFT VIEW



FRONT VIEW



DETAIL (NTS)

27" STANDARD HEADROOM BALANCED CHAIN DRIVE WITH COVERS LH CONTROL PANEL:

CUSTOMER:		SCALE = NOT TO SCALE	<b>ASSA ABLOY</b>	
LOCATION:		APPROVED BY:	APPROVED WITH CHANGES BY:	
SALESMAN / DEALER:		DATE:	DATE:	
DESCRIPTION: ULTRA TOUGH APPROVAL DRAWINGS				
DRAWING NO:		DESIGNER:	DATE:	
Rev	Change	Date	Name	8300T0062 J. Fisher 01/13/2017

QUOTE: