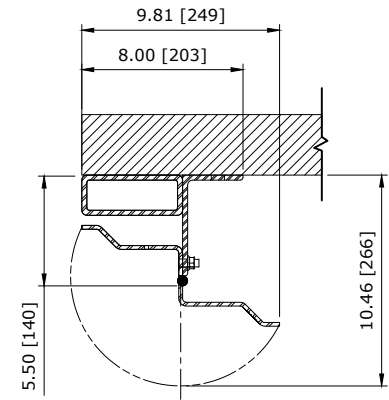
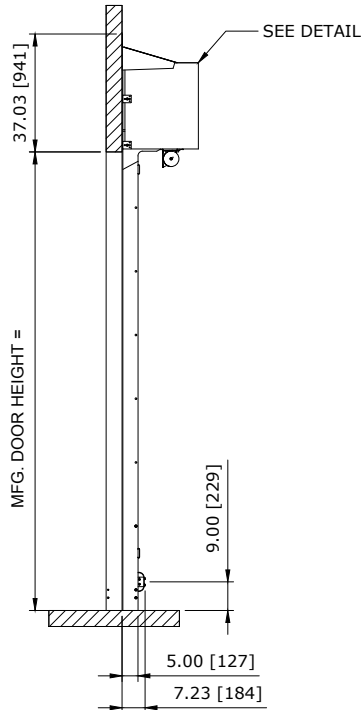


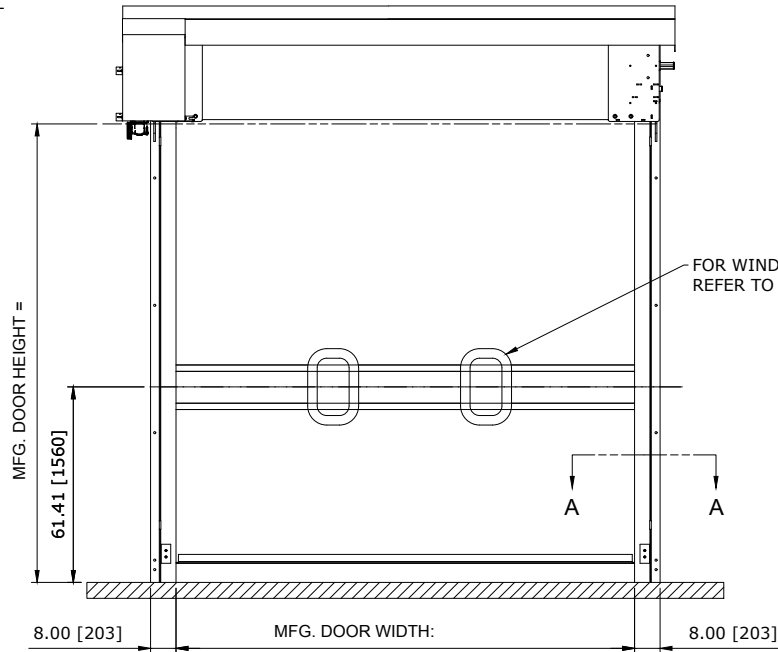
TOP VIEW



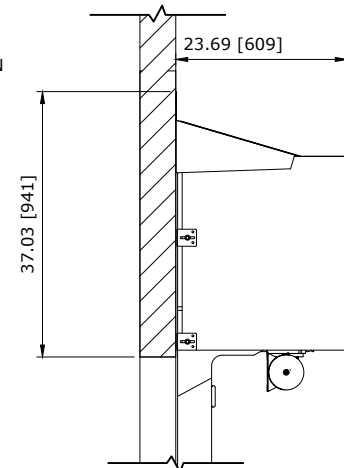
SECTION A-A



LEFT VIEW



FRONT VIEW



DETAIL (NTS)

27" STANDARD HEADROOM UNBLANCED DRIECT DRIVE W/ COVER LH  
CONTROL PANEL:

CUSTOMER:		SCALE = NOT TO SCALE	<b>ASSA ABLOY</b>	
LOCATION:		APPROVED BY:	APPROVED WITH CHANGES BY:	
SALESMAN / DEALER:		DATE:	DATE:	
		DESCRIPTION: ULTRA TOUGH APPROVAL DRAWINGS		
		DRAWING NO:	DESIGNER:	DATE:
Rev	Change	Date	Name	
			8300T0058	J. Fisher 01/09/2017

QUOTE: