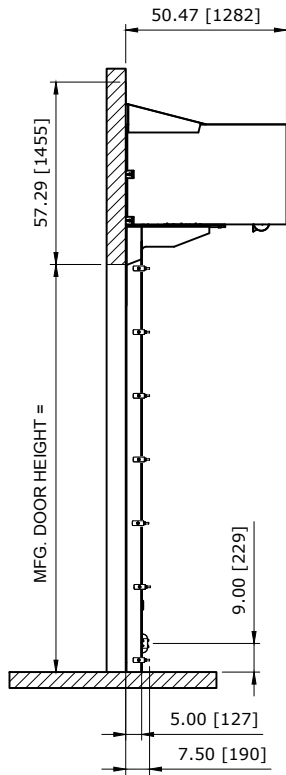
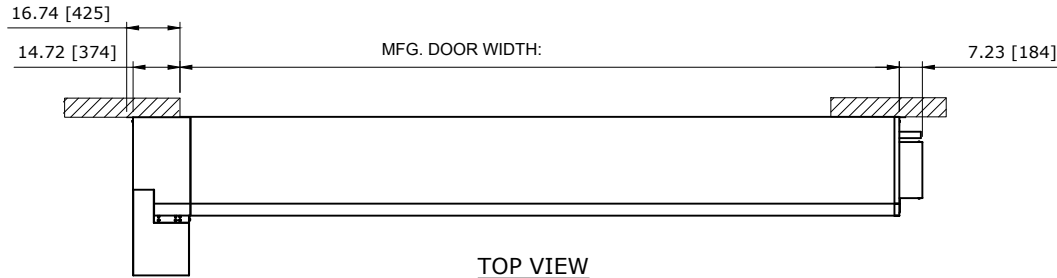


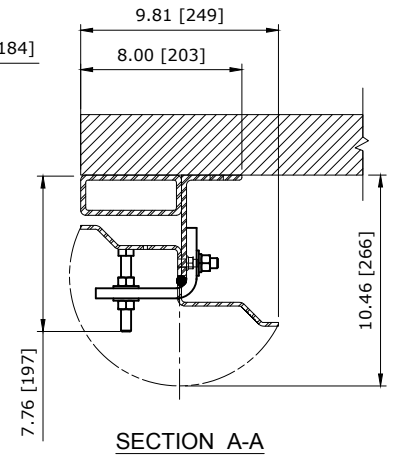
RECOMMENDED FOR MAINTENANCE.



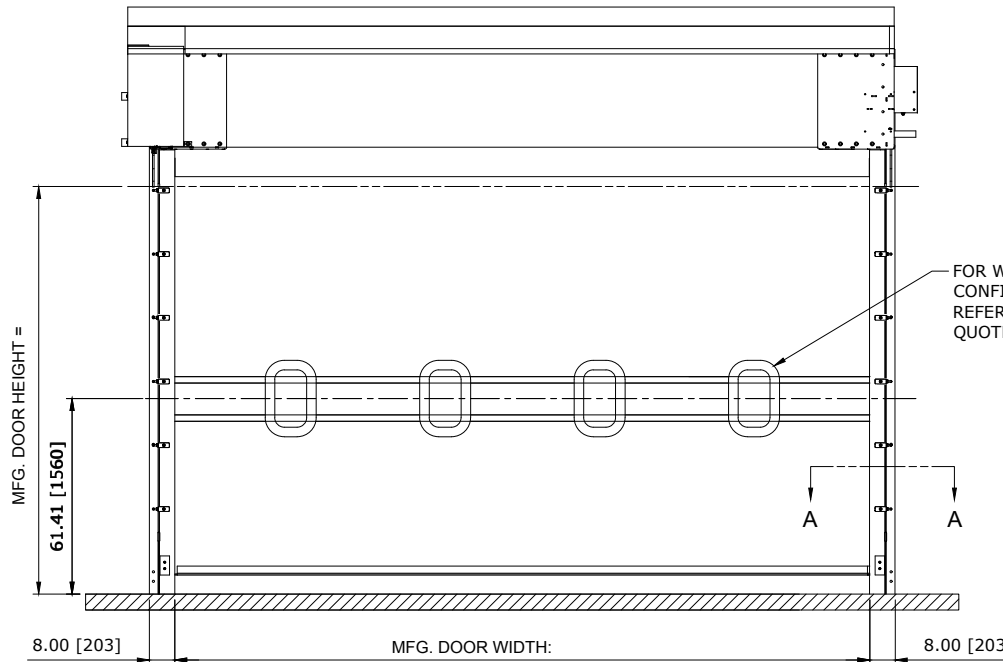
LEFT VIEW



TOP VIEW



SECTION A-A



FRONT VIEW

43" HEADROOM UNBALANCED CHAIN DRIVE WITH COVER LH  
CONTROL PANEL:

CUSTOMER:		SCALE = NOT TO SCALE	<b>ASSA ABLOY</b>	
LOCATION:		APPROVED BY:	APPROVED WITH CHANGES BY:	
SALESMAN / DEALER:		DATE:	DATE:	
DESCRIPTION: ULTRA TOUGH APPROVAL DRAWINGS				
DRAWING NO:		DESIGNER:	DATE:	
Rev	Change	Date	Name	8300T0078 J. Fisher 01/10/2017

QUOTE: