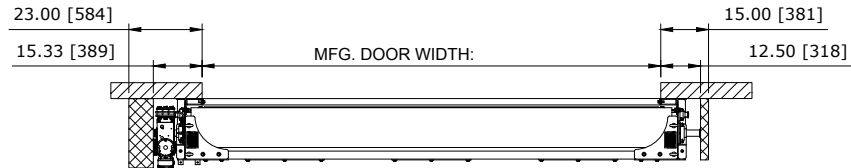
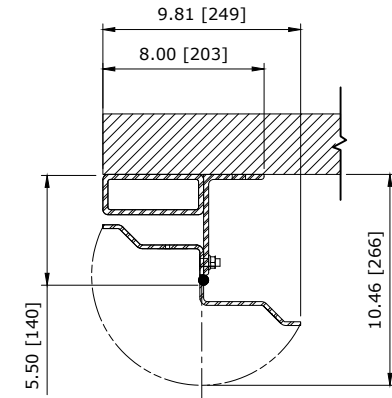


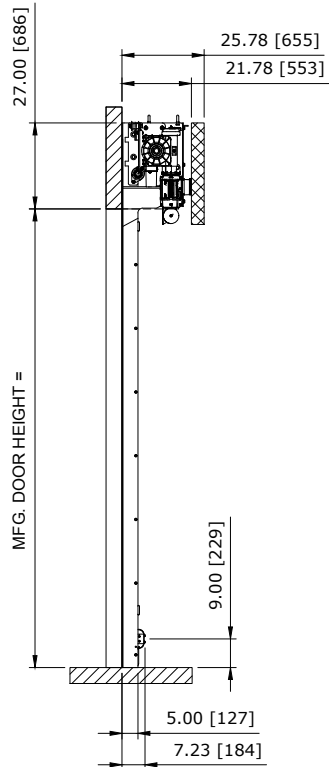
RECOMMENDED FOR MAINTENANCE.



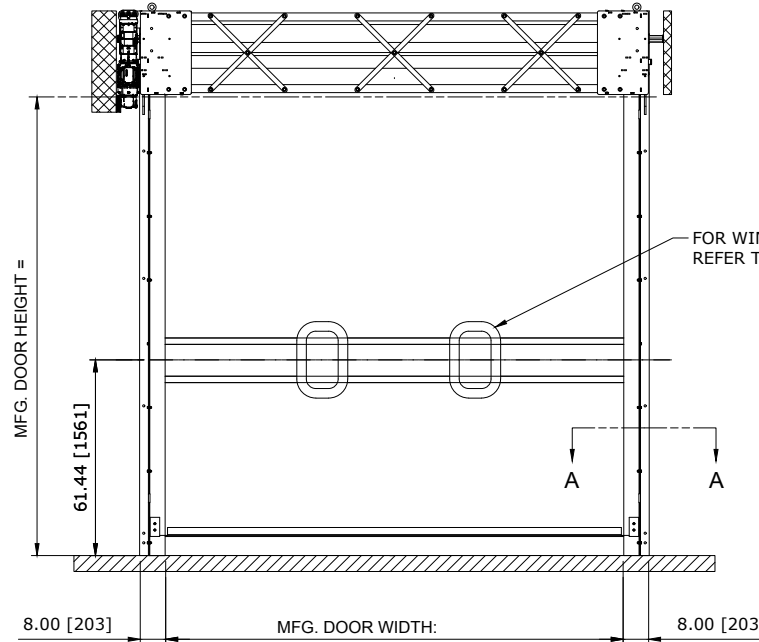
TOP VIEW



SECTION A-A



LEFT VIEW



FRONT VIEW

FOR WINDOW CONFIGURATION REFER TO DOOR QUOTE.

27" STANDARD HEADROOM UNBALANCED DIRECT DRIVE.
CONTROL PANEL:

CUSTOMER:		SCALE = NOT TO SCALE	ASSA ABLOY	
LOCATION:		APPROVED BY:	APPROVED WITH CHANGES BY:	
SALESMAN / DEALER:		DATE:	DATE:	
DESCRIPTION: ULTRA TOUGH APPROVAL DRAWINGS				
DRAWING NO:		DESIGNER:	DATE:	
Rev	Change	Date	Name	8300T0056 J. Fisher 01/05/2017

QUOTE: