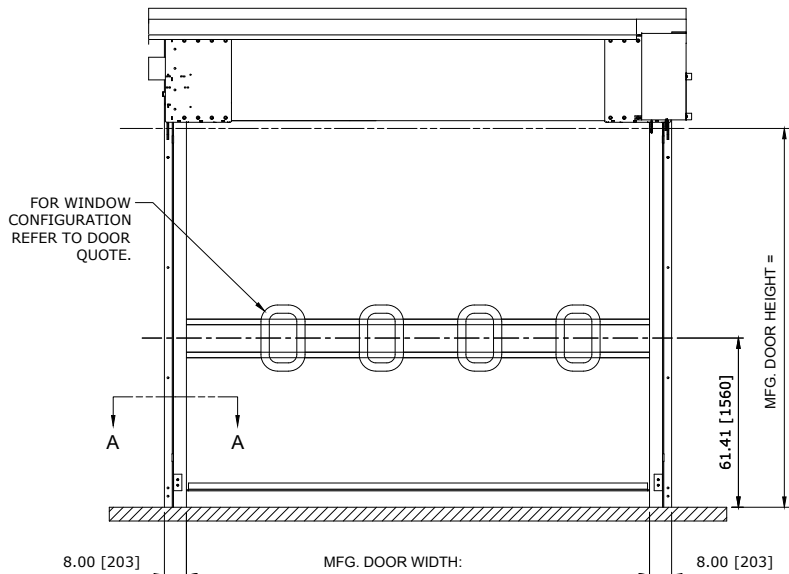


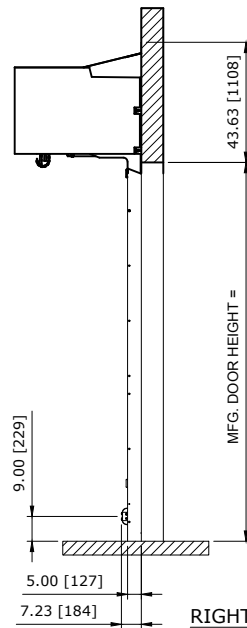
TOP VIEW



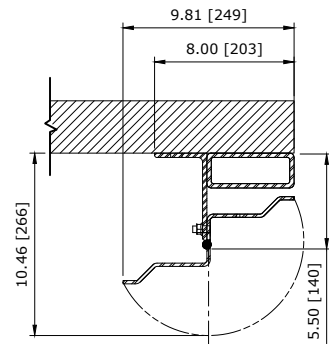
FRONT VIEW

33.5" HEADROOM UNBALANCED CHAIN DRIVE WITH COVER RH  
CONTROL PANEL:

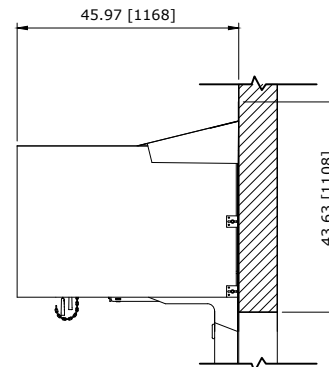
RECOMMENDED FOR MAINTENANCE.



RIGHT VIEW



SECTION A-A



DETAIL (NTS)

CUSTOMER:		SCALE = NOT TO SCALE	<b>ASSA ABLOY</b>
LOCATION:		APPROVED BY:	APPROVED WITH CHANGES BY:
SALESMAN / DEALER:		DATE:	DATE:
DESCRIPTION: ULTRA TOUGH APPROVAL DRAWINGS			
Rev		Change	Date Name
DRAWING NO:		DESIGNER:	DATE:
8300T0071		J. Reitz	2/8/2017

QUOTE: