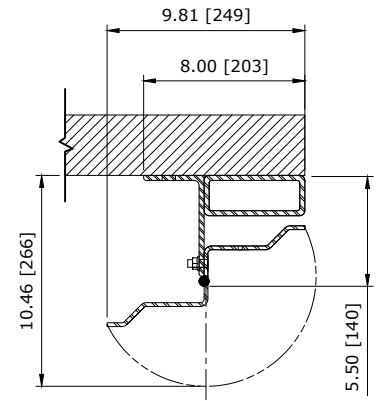
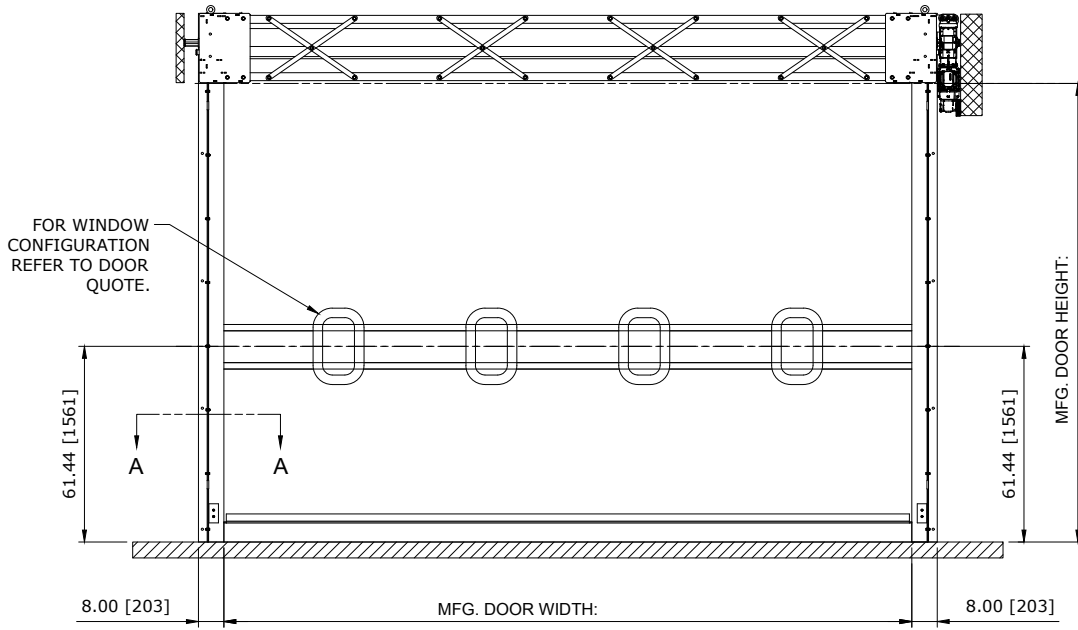


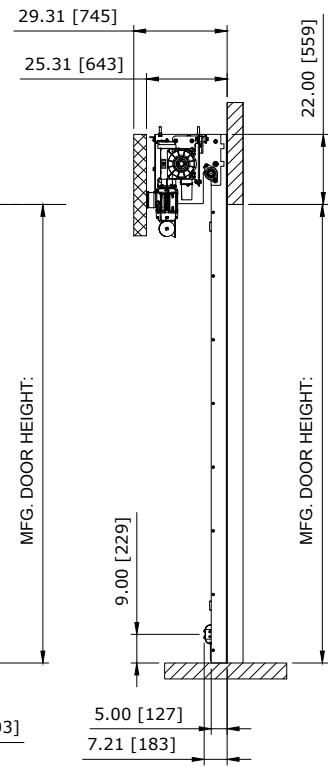
TOP VIEW



SECTION A-A



FRONT VIEW



RIGHT VIEW

 RECOMMENDED FOR MAINTENANCE.

22" LOW HEADROOM UNBALANCED RH
CONTROL PANEL:

CUSTOMER:		SCALE = NOT TO SCALE	ASSA ABLOY	
LOCATION:		APPROVED BY:	APPROVED WITH CHANGES BY:	
SALESMAN / DEALER:		DATE:	DATE:	
DESCRIPTION: ULTRA TOUGH APPROVAL DRAWINGS				
DRAWING NO:		DESIGNER:	DATE:	
Rev	Change	Date	Name	8300T0054 J. Reitz 1/22/2016

QUOTE: