
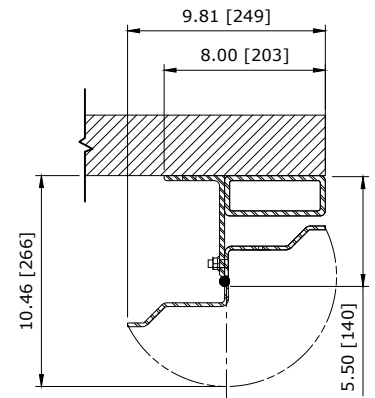
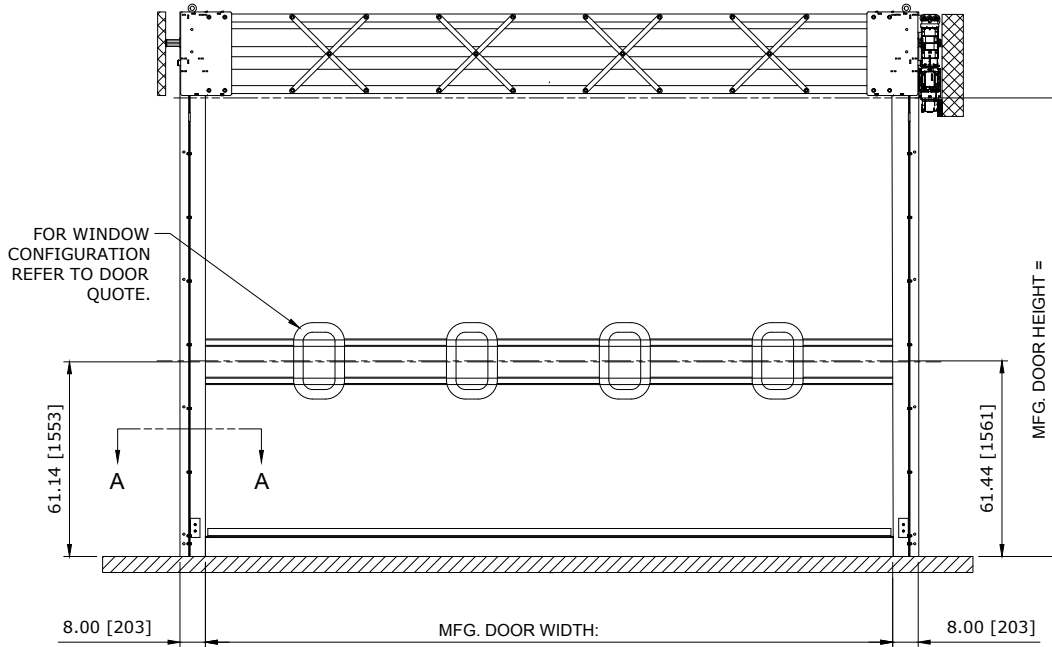


TOP VIEW

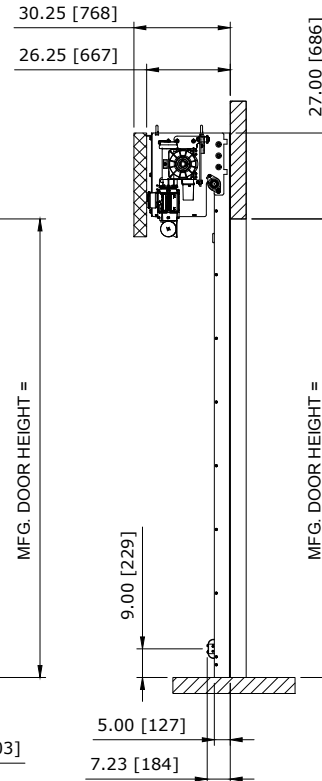
RECOMMENDED FOR MAINTENANCE. 



SECTION A-A



FRONT VIEW



RIGHT VIEW

ULTRA TOUGH 27" LOW HEADROOM RH  
CONTROL PANEL:

CUSTOMER:		SCALE = NOT TO SCALE	<b>ASSA ABLOY</b>	
LOCATION:		APPROVED BY:	APPROVED WITH CHANGES BY:	
SALESMAN / DEALER:		DATE:	DATE:	
DESCRIPTION: ULTRA TOUGH APPROVAL DRAWINGS				
DRAWING NO:		DESIGNER:	DATE:	
Rev	Change	Date	Name	8300T0084 J. Reitz 1/22/2016

QUOTE: