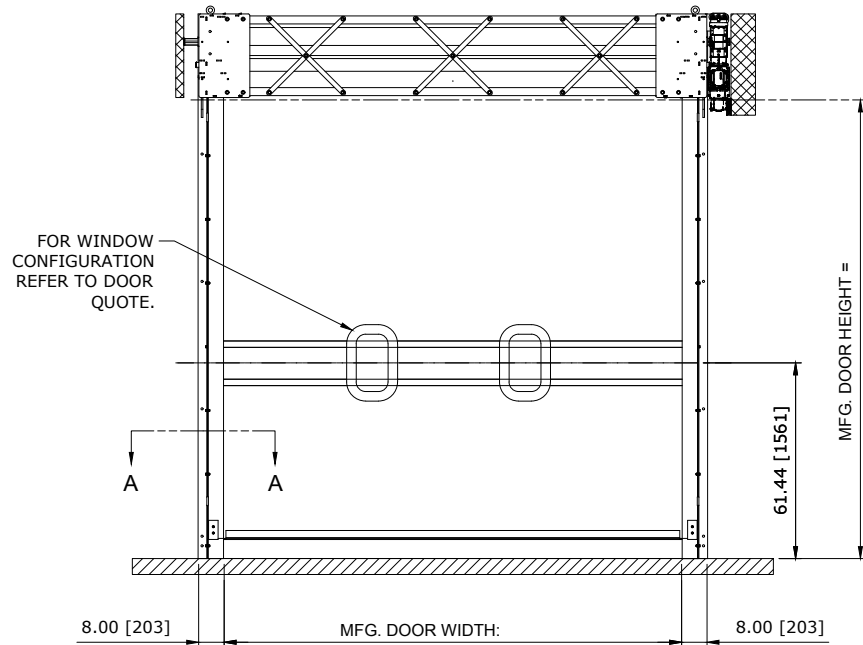
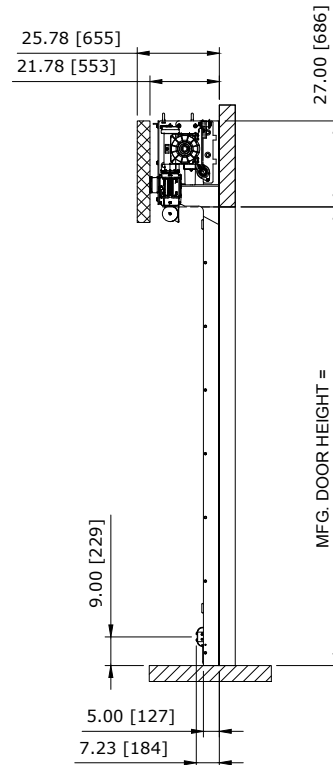


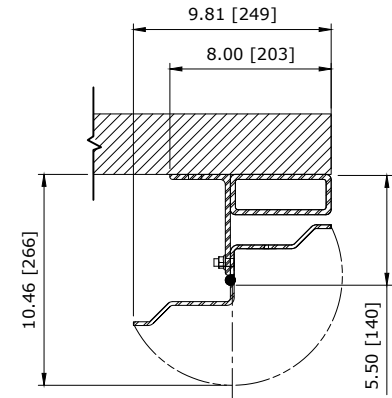
TOP VIEW



FRONT VIEW



RIGHT VIEW



SECTION A-A

 RECOMMENDED FOR MAINTENANCE.

27" STANDARD HEADROOM UNBALANCED DIRECT DRIVE RH CONTROL PANEL:

CUSTOMER:		SCALE = NOT TO SCALE	<b>ASSA ABLOY</b>	
LOCATION:		APPROVED BY:	APPROVED WITH CHANGES BY:	
SALESMAN / DEALER:		DATE:	DATE:	
DESCRIPTION: ULTRA TOUGH APPROVAL DRAWINGS				
DRAWING NO:		DESIGNER:	DATE:	
Rev	Change	Date	Name	8300T0057 J. Reitz 01/22/2017

QUOTE: