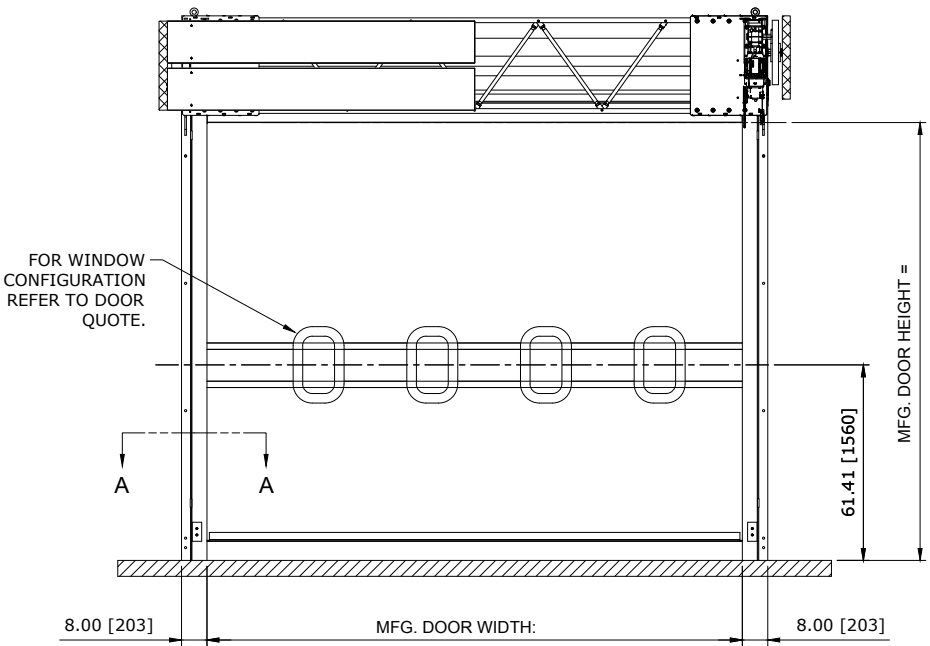
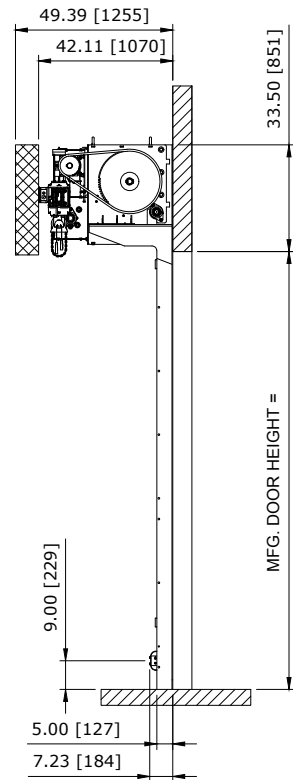


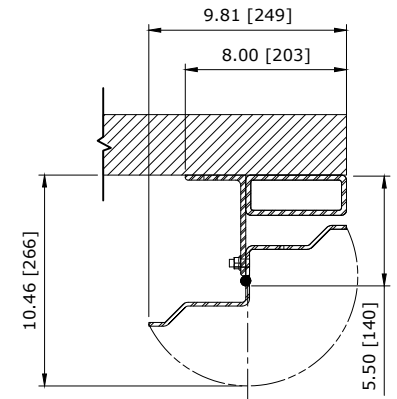
TOP VIEW




FRONT VIEW



RIGHT VIEW



SECTION A-A

 RECOMMENDED FOR MAINTENANCE.

33.5" HEADROOM BALANCED CHAIN DRIVE NO COVER RH
CONTROL PANEL:

CUSTOMER:		SCALE = NOT TO SCALE	ASSA ABLOY	
LOCATION:		APPROVED BY:	APPROVED WITH CHANGES BY:	
SALESMAN / DEALER:		DATE:	DATE:	
DESCRIPTION: ULTRA TOUGH APPROVAL DRAWINGS				
DRAWING NO:		DESIGNER:	DATE:	
Rev	Change	Date	Name	8300T0073 J. Reitz 01/23/2017

QUOTE: