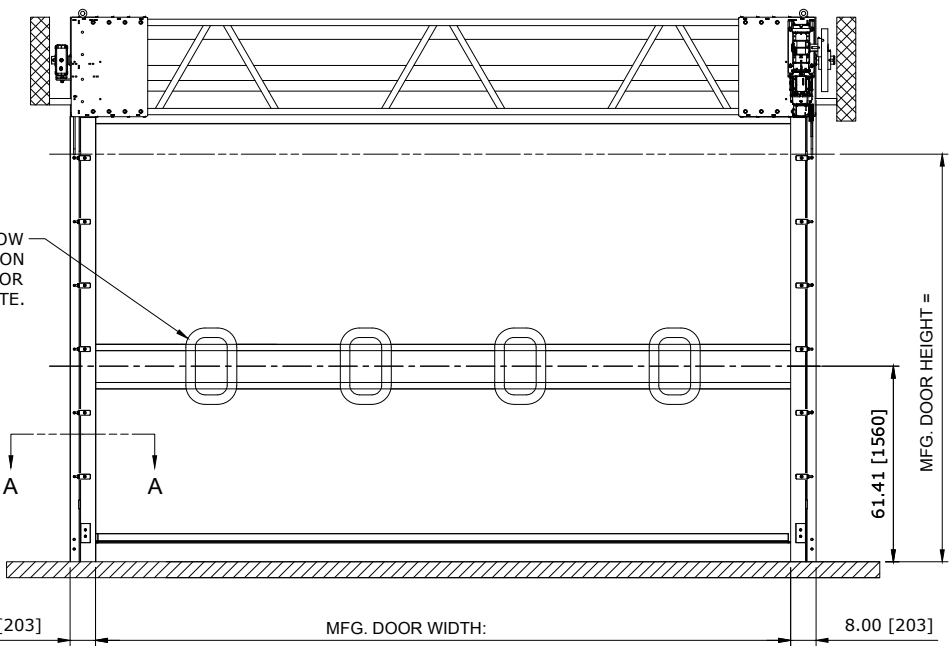


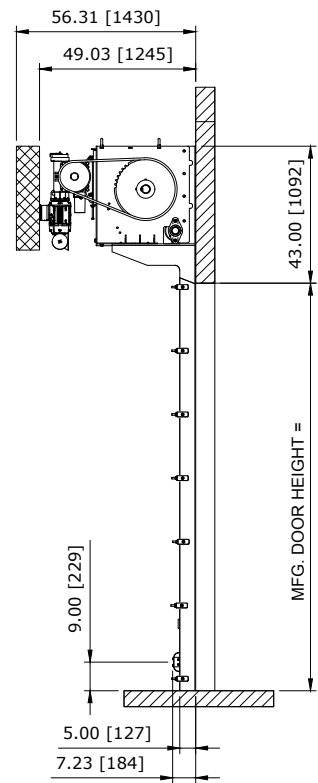
TOP VIEW



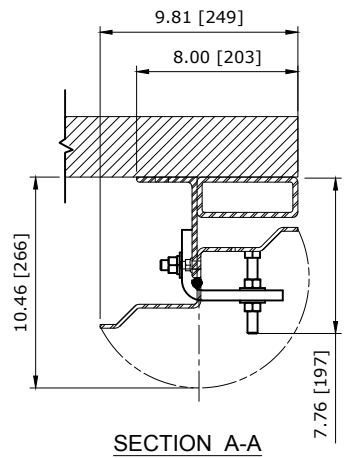
FRONT VIEW

FOR WINDOW CONFIGURATION REFER TO DOOR QUOTE.

A A



LEFT VIEW



SECTION A-A

RECOMMENDED FOR MAINTENANCE.

43" HEADROOM UNBALANCED CHAIN DRIVE NO COVER RH CONTROL PANEL:

CUSTOMER:		SCALE = NOT TO SCALE	ASSA ABLOY	
LOCATION:		APPROVED BY:	APPROVED WITH CHANGES BY:	
SALESMAN / DEALER:		DATE:	DATE:	
DESCRIPTION: ULTRA TOUGH APPROVAL DRAWINGS				
DRAWING NO:		DESIGNER:	DATE:	
Rev	Change	Date	Name	8300T0077 J. Reitz 01/23/2017

QUOTE: